

Spare Parts List

GARUDAN[®]

GF-133-443&448 MH/L30

GF-233-443&448 MH/L30



ANITA B, s.r.o.

Hliníky 2068

680 01 Boskovice

Czech Republic

tel: +420 516454774, 516453496

fax: +420 516452751

e-mail: info@anita.cz

www.garudan.cz

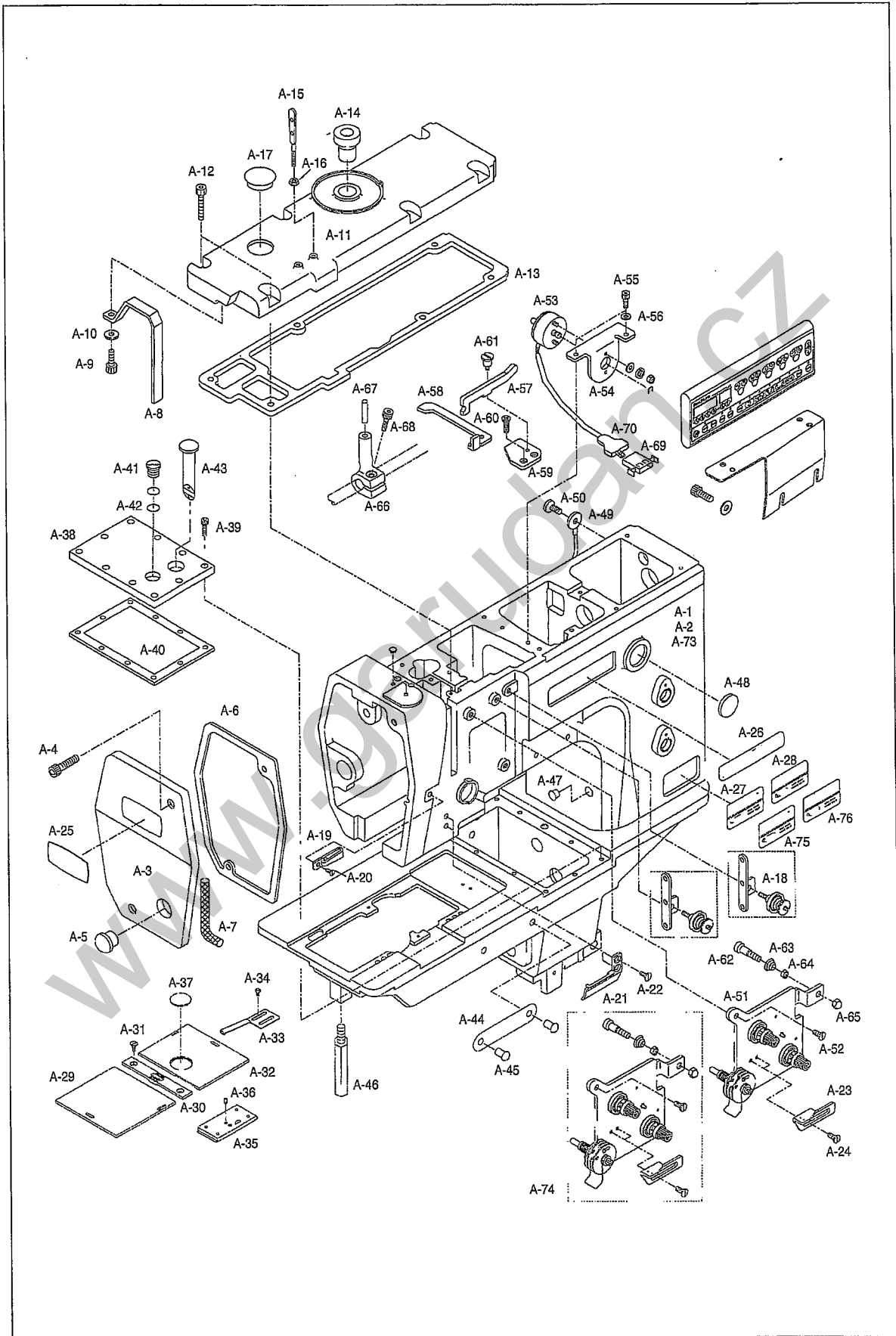
CONTENTS

Machine Parts

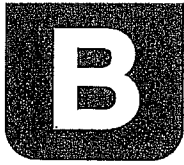
A. ARM, BED & Machine Body parts	4
B. Upper Shaft & Thread Take-up Mechanism	6
C. Presser Foot & Knee Lifting Mechanism	8
D. Feed Mechanism	10
E. Lower Shaft & Hook Mechanism	14
F. Upper Feed Mechanism	18
G. Thread Trimmer Mechanism	22
H. Lubrication	24
I. Pneumatic Mechanism	26
J. Button Mechanism	27
K. Gauge Parts	28
L. Accessories	32



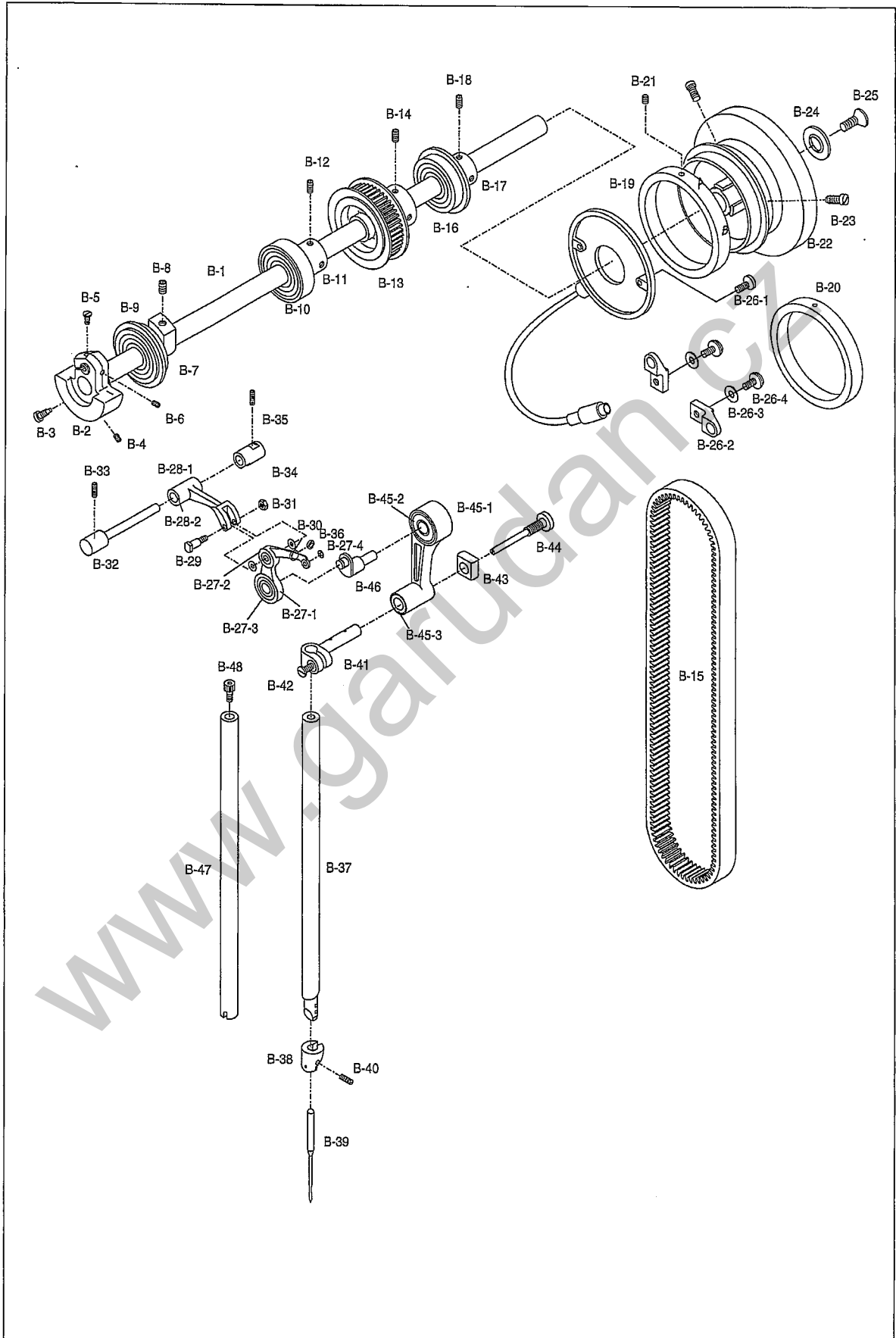
ARM, BED & Machine Body parts
ARM, BED



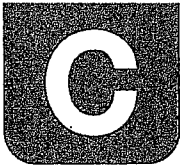
Ref. No.	Parts No.	Note	Name of Parts	品名	規格	QTY				Assembly No.
						133-448	133-443	233-448	233-443	
A-1	01-001A-106L		ARM · BED			1				
A-2	01-001A-1067		ARM · BED			1				
A-3	01-008A-106L		FACE PLATE			1	1	1	1	
A-4	SC-0162-4113		SCREW (M5×P0.8)			2	2	2	2	
A-5	01-144R-1230		Rubber For Face Plate			1	1	1	1	
A-6	01-011M-106L		Gasket For Face Plate			1	1	1	1	
A-7	44-0000-1230		Oil Wick For Face Plate			1	1	1	1	
A-8	01-013C-106L		Cover For Thread Take-Up Lever			1	1	1	1	
A-9	SC-0211-4113		Screw (M4×P0.7)			1	1	1	1	
A-10	06-036W-3800		Washer For A-8			1	1	1	1	
A-11	GP-000194.00		Top Cover			1	1	1	1	
A-12	SC-0162-4113		Screw (M5×P0.8)			6	6	6	6	
A-13	01-018M-106L		Gasket For Top Cover			1	1	1	1	
A-14	01-019C-106L		Bushing For Top Cover			1	1	1	1	
A-15	10-016A-2350		Thread Guide Bar For A-11			1	1	2	2	
A-16	10-017C-1230		Nut (3/16" n=28)			1	1	2	2	
A-17	01-018M-9570		Rubber For Top Cover			1	1	1	1	
A-18	01-023C-106L		Arm Thread Guide Ass'y(U)			1	1	2	2	
A-19	01-028C-106L		Arm Thread Guide (M)			1	1	1	1	
A-20	01-029S-106L		Screw (9/64" n=40)			1	1	1	1	
A-21	01-030C-106L		Arm Thread Guide (L)			1	1	1	1	
A-22	SC-A119-4119		Screw (11/64" n=40)			2	2	2	2	
A-23	01-032C-106L		Thread Guide For Tension Control Ass'y			1	1	1	1	
A-24	01-029S-106L		Screw (9/64" n=40)			2	2	2	2	
A-25	01-034M-106L		Brand Mark For Face Plate			1	1	1	1	
A-26	01S064S-306H		Brand Mark For Arm			1	1	1	1	
A-27	01-036M-1067		Model Mark			1				
A-28	01-037M-106L		Model Mark			1	1			
A-29	01-038A-106L		Slide Plate (L)			1	1			
A-30	01-039A-1067		Needle Plate			1	1	1	1	
A-31	SC-0499-4515		Screw (11/64" n=40)			2	2	2	2	
A-32	01-042A-106L		Slide Plate (R)			1	1	1	1	
A-33	01-046A-7500		Stopper For A-32			1	1	1	1	
A-34	SC-0543-4525		Screw (11/64" n=40)			2	2	2	2	
A-35	01-045A-106L		Slide Plate (F) Ass'y			1	1	1	1	
A-36	SC-0105-4517		Screw (M4×P0.7)			1	1	1	1	
A-37	01-049C-7500		Window For A-32			1	1	1	1	
A-38	01-050A-106L		Bed Cover			1	1	1	1	
A-39	43-025S-9570		Screw (M4×P0.7)			10	10	10	10	
A-40	01-052M-106L		Gasket For Bed Cover			1	1	1	1	
A-41	01-053S-106L		Screw For Oil Gate			1	1	1	1	
A-42	01-054W-106L		Washer For A-41			2	2	2	2	
A-43	01-055A-106L		Oil Gauge			1	1	1	1	
A-44	01-035P-1370		Machine Number Plate			1	1	1	1	
A-45	01-035P-7400		Pin For A-44			2	2	2	2	
A-46	01-061C-106L		Bed Support			1	1	1	1	
A-47	01-007R-8130		Rubber For Reverse Feed Shaft			1	1	1	1	
A-48	01-063C-106L		Oil Gauge Window			1	1	1	1	
A-49			Earth Line			1	1	1	1	
A-50	SC-0197-4122		Screw (M6×P1.0)			1	1	1	1	
A-51	40-001A-106L		Thread Tension Control Ass'y			1組	1組			
A-52	SC-0200-4123		Screw (11/64" n=40)			2	2		2	
A-53	40-024A-1067		Tension Release Solenoid Ass'y			1		1		
A-54	40-026A-1067		Bracket For A-53			1		1		
A-55	SC-0211-4113		Screw (M4×P0.7)			2		2		
A-56	02-011W-2302		Washer For A-55			2		2		
A-57	40-033S-106L		Tension Release Lever "A"			1	1	1	1	
A-58	40-034P-106L		Tension Release Lever "B"			1	1	1	1	
A-59	40-035G-106L		Tension Release Lever Support			1	1	1	1	
A-60	SC-0119-4119		Screw (11/64" n=40)			2	2	2	2	
A-61	40-033S-106L		Stud Screw			1	1	1	1	
A-62	40-034P-106L		Tension Release Connectiong Pin			1	1	1	1	
A-63	40-035G-106L		Spring For A-62			1	1	1	1	
A-64	11-017C-7507		Nut For A-62			1	1	1	1	
A-65	40-037C-106L		Cap Nut For A-62			1	1	1	1	
A-66	40-038A-106L		Tension Crank			1	1	1	1	
A-67	06-007P-106L		Tension Crank Pin			1	1	1	1	
A-68	SC-0109-4113		Screw (M6×P1.0)			1	1	1	1	
A-69	08-010B-3701		Plug (White)			1		1		
A-70	17-436C-7907		Tube (Small) For A-68			1		1		
A-71	01-073M-1067		Caution Sticker			1		1		
A-72	01-074M-106L		Caution Sticker				1		1	
A-73	AS-000125.00		Arm · bed					1組	1組	
A-74	AS-000140.00		Thread Tension Control Ass'y					1組	1組	
A-75	GP-000196.00		Model Mark					1		
A-76	GP-000209.00		Model Mark						1	



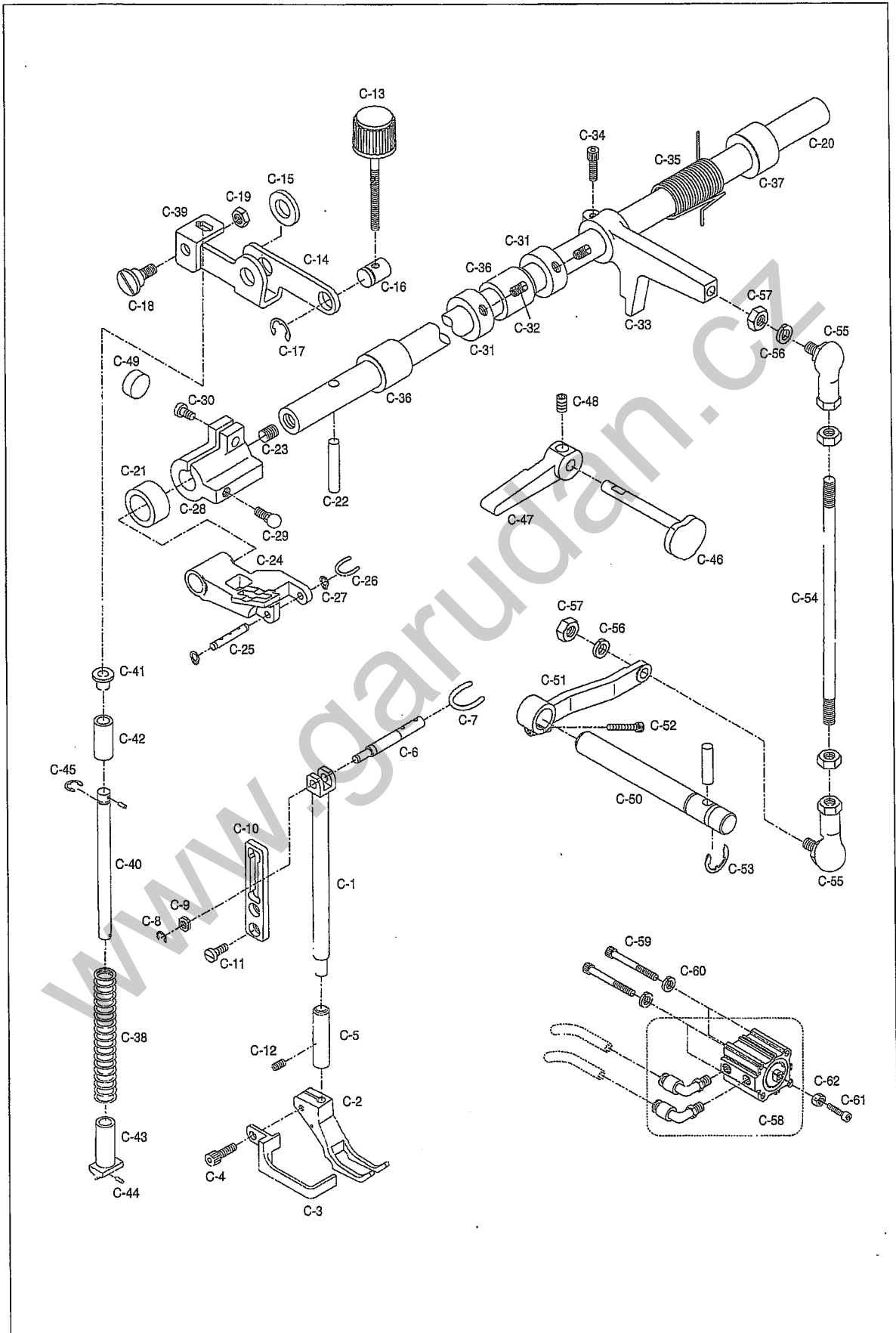
Upper Shaft & Thread Take up Mechanism



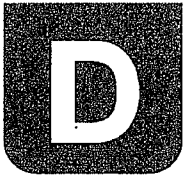
Ref. No.	Parts No.	Note	Name of Parts	Quantity				Assembly No.
				133-448	133-443	233-448	233-443	
B-1	02-001A-106L		Upper Shaft	1	1	1	1	
B-2	02-002A-106L		Link Cam	1	1	1	1	
B-3	SC-0123-4422		Screw (9/32" n=28)	1	1	1	1	
B-4	SC-0203-4522		Screw (9/32" n=28)	1	1	1	1	
B-5	SC-0307-4122		Screw (3/16" n=32)	1	1	1	1	
B-6	SC-0117-4417		Screw (1/4" n=40)	1	1	1	1	
B-7	02-007A-106L		Upper Shaft Balance	1	1	1	1	
B-8	SC-0167-4417		Screw (M8×P1.25)	1	1	1	1	
B-9	02-007A-9570		Upper Shaft Bearing (F)	1	1	1	1	
B-10	02-010A-106L		Upper Shaft Bearing (M)	1	1	1	1	
B-11	02-011A-106L		Bearing Bushing For B-10	1	1	1	1	
B-12	SC-0317-4517		Screw (15/64" n=28)	2	2	2	2	
B-13	02-013A-106L		Timing Belt Pulley (U)	1	1	1	1	
B-14	SC-0153-4117		Screw (1/4" n=40)	2	2	2	2	
B-15	02-015A-106L		Timing Belt Pulley (U)	1	1	1	1	
B-16	02-016A-106L		Upper Shaft Bearing (R)	1	1	1	1	
B-17	02-017A-106L		Bearing Bushing For B-16	1	1	1	1	
B-18	SC-0317-4517		Screw (15/64" n=28)	2	2	2	2	
B-19	02-019A-1067		Setting Ring	1		1		
B-20	02-020A-106L		Setting Ring		1		1	
B-21	SC-A550-4517		Screw (1/4" n=40)	1	1	1	1	
B-22	02-022A-106L		Pulley	1	1	1	1	
B-23	SC-0150-4122		Screw (15/64" n=28)	2	2	2	2	
B-24	02-019R-9570		Pulley Cover	1	1	1	1	
B-25	02-020S-9570		Screw (M6×P1.0)	1	1	1	1	
B-26-1	SC-0202-2118		Screw (3/16" n=28)	2		2		
B-26-2	11-020A-2500		Magnetic Holder	2		2		
B-26-3	11-022W-2500		Washer For Magnetic Holder	2		2		
B-26-4	11-021S-2500		Screw (M5×P0.8)	2		2		
B-27	08-001A-106L		Thread take Up Lever Ass'y	1	1	1	1	
B-27-1	08-002A-106L		Thread take Up Lever	1	1	1	1	
B-27-2	08-022A-9570		Bearing (Small)	1	1	1	1	
B-27-3	07-032A-9570		Bearing (Big)	1	1	1	1	
B-27-4	08-012A-9570		Eyelet	1	1	1	1	
B-28-1	08-006A-106L		Thread take Up Lever Crank	1	1	1	1	
B-28-2	08-007A-106L		Bearing For B-28-1	2	2	2	2	
B-29	08-008S-106L		Stud Screw For B-32	1	1	1	1	
B-30	08-009W-106L		Washer For B-29	2	2	2	2	
B-31	11-017C-7507		Nut (M4×P0.7)	1	1	1	1	
B-32	08-011P-106L		Hinge Pin	1	1	1	1	
B-33	SC-0165-4517		Screw (M5×P0.8)	1	1	1	1	
B-34	08-013A-106L		Hinge Pin Bushing	1	1	1	1	
B-35	SC-0165-4517		Screw (M5×P0.8)	1	1	1	1	
B-36	02-016R-1230		O-Ring (P-4)	1	1	1	1	
B-37	04-001A-106L		Needle Bar	1	1	1	1	
B-38	04-006C-250A		Needle Bar Thread Guide	1	1	1	1	
B-39	006-007-0002		Needle (DP×17 #22)	1	1	1	1	
B-40	SC-A131-4522		Screw (1/8" n=44)	1	1	1	1	
B-41	04-005A-106L		Needle Bar Holder	1	1	1	1	
B-42	04-006S-106L		Screw (9/64" n=40)	1	1	1	1	
B-43	04-007A-106L		Needle Bar Guide Block	1	1	1	1	
B-44	04-008S-106L		Block Screw For B-43	1	1	1	1	
B-45-1	04-009A-106L		Needle Bar Crank Rod	1	1	1	1	
B-45-2	04-101A-106L		Bearing For B-45-1	2	2	2	2	
B-45-3	04-011A-106L		Bushing For B-45-1	2	2	2	2	
B-46	04-012A-106L		Needle Bar Crank Shaft	1	1	1	1	
B-47	GP-000195.00		Needle Bar			1	1	
B-48	03071SC-4113		Needle holder Screw			1	1	



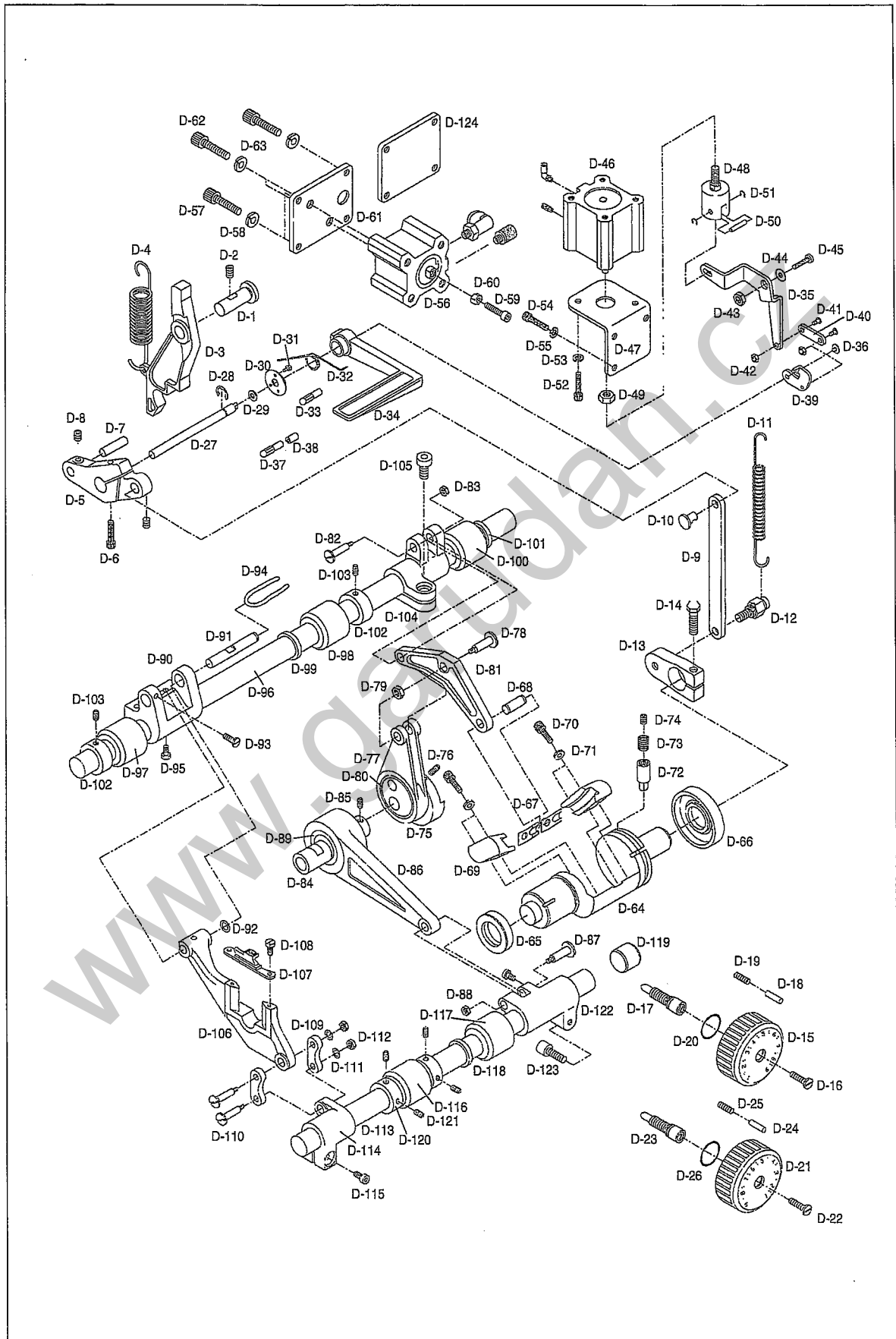
Presser Foot & Knee Lifting Mechanism



Ref. No.	Parts No.	Notes	Name of Parts	品名	Qty				Assembly No.
					133-448	133-443	233-448	233-443	
C-1	05-001A-106L		Sub Presser Bar		1	1	1	1	
C-2	05-002A-106L		Sub Presser		1	1			
C-3	06-130C-106L		Finger Guard		1	1			
C-4	05-033S-106L		Screw (M4×P0.7)		1	1	1	1	
C-5	05-004A-106L		Bushing For C-1		1	1	1	1	
C-6	15-072P-106L		Presser Foot Guide Block Pin		1	1	1	1	
C-7	44-0000-1230		Oil Wick For C-6		1	1	1	1	
C-8	05-014C-1230		E-Ring (φ4)		1	1	1	1	
C-9	15-075A-106L		Presser Foot Guide Block		1	1	1	1	
C-10	15-076A-106L		Guide Plate For C-9		1	1	1	1	
C-11	SC-A174-4122		Screw (11/64" n=40)		2	2	2	2	
C-12	SC-0103-4417		Screw (11/64" n=40)		1	1	1	1	
C-13	05-006A-106L		Dial For Pressure Ass'y		1	1	1	1	
C-14	05-007A-106L		Pressure Adjusting Bracket		1	1	1	1	
C-15	05-008M-106L		Felt For C-14		1	1	1	1	
C-16	05-009P-106L		Pin For C-14		1	1	1	1	
C-17	06-003C-7400		E-Ring (φ4)		1	1	1	1	
C-18	05-011S-106L		Stud Screw For C-14		1	1	1	1	
C-19	05-012C-106L		Nut (15/64" n=28)		1	1	1	1	
C-20	05-013A-106L		Presser Lifting Shaft		1	1	1	1	
C-21	05-014A-106L		Front Bushing For C-20		1	1	1	1	
C-22	05-015P-106L		Pin For C-20		1	1	1	1	
C-23	SC-0101-4517		Screw (15/64" n=28)		1	1	1	1	
C-24	05-017A-106L		Lifting Bracket For Presser		1	1	1	1	
C-25	05-018P-106L		Pin For C-24		1	1	1	1	
C-26	44-0000-1230		Oil Wick For C-25		1	1	1	1	
C-27	05-019C-106L		G-Ring (GTW-6)		2	2	2	2	
C-28	05-021A-106L		Presser Lifting Body		1	1	1	1	
C-29	05-022P-106L		Pin For C-28		1	1	1	1	
C-30	SC-0162-4113		Screw (M5×P0.8)		1	1	1	1	
C-31	05-024A-106L		Collar For C-20		2	2	2	2	
C-32	SC-0317-4517		Screw (15/64" n=28)		2	2	2	2	
C-33	05-026A-106L		Crank For Presser Lifting Cylinder		1	1	1	1	
C-34	SC-0109-4113		Screw (M6×P1.0)		1	1	1	1	
C-35	05-028G-106L		Spring For C-20		1	1	1	1	
C-36	05-029A-106L		Middle Bushing For C-20		2	2	2	2	
C-37	05-030A-106L		Rear Bushing For C-20		1	1	1	1	
C-38	05-031G-106L		Presser Bar Spring		1	1	1	1	
C-39	05-032C-106L		Spring Support(U) For C-38		1	1	1	1	
C-40	05-033A-106L		Guide Shaft For C-38		1	1	1	1	
C-41	05-034A-106L		Guide Bushing For C-38		1	1	1	1	
C-42	44S-002S-306H		Guide Hose For C-40		1	1	1	1	
C-43	05-036A-106L		Spring Support For C-38		1	1	1	1	
C-44	05-037P-106L		Spring Pin (φ3)		2	2	2	2	
C-45	04-009C-3710		E-Ring (φ5)		1	1	1	1	
C-46	05-039C-106L		Presser Lifting Cam		1	1	1	1	
C-47	43-001A-640L		Presser Bar Lifting Lever		1	1	1	1	
C-48	SC-0164-4517		Screw (M5×P0.8)		2	2	2	2	
C-49	01-007R-8130		Rubber For C-28		1	1	1	1	
C-50	43-001A-106L		Knee Lifting Controller Shaft Ass'y		1	1	1	1	
C-51	43-003A-106L		Rod For C-50		1	1	1	1	
C-52	SC-0162-4113		Screw (M5×P0.8)		1	1	1	1	
C-53	43-009C-1600		E-Ring (φ9)		1	1	1	1	
C-54	43-006A-106L		Connecting Rod For C-50		1	1	1	1	
C-55	43-007A-106L		Joint For C-54		2	2	2	2	
C-56	01-620W-2350		Washer For C-55		2	2	2	2	
C-57	SN-0102-4000		Nut (M6×P1.0)		4	4	4	4	
C-58	43-010A-1067		Presser Lifting Cylinder Ass'y		1		1		
C-59	43-011S-1067		Screw (M5×P0.8)		2		2		
C-60	07-011W-1230		Washer For C-53		2		2		
C-61	SC-0346-4113		Screw (M8×P1.25)		1		1		
C-62	SN-0112-4000		Nut (M8×P1.25)		1		1		



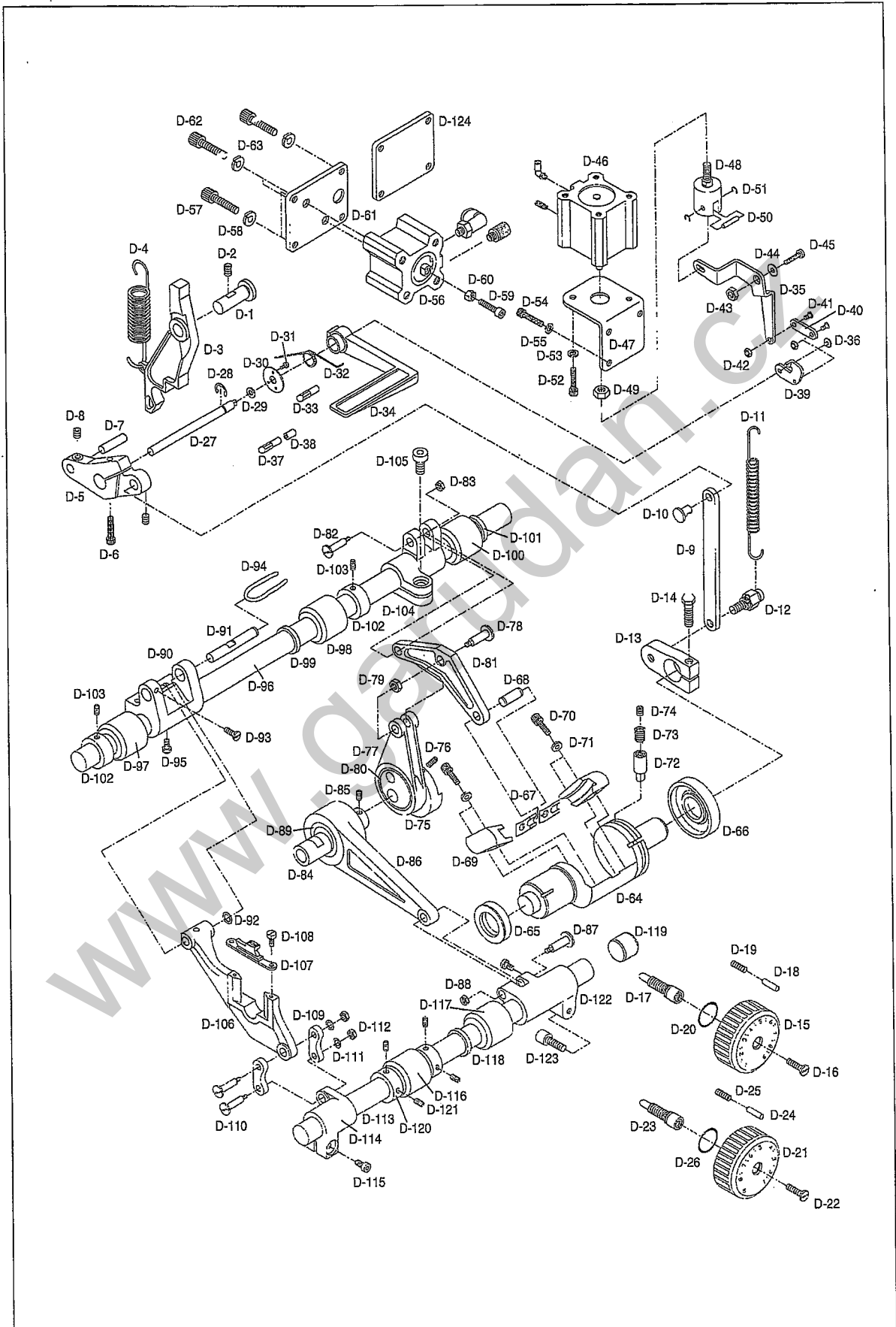
Feed Mechanism



Ref. No.	Parts No.	Note	Name of Parts	Qty				Assembly No.
				133-448	133-443	233-448	233-443	
D-1	06-011A-106L		Feed Regulator Stud	1	1	1	1	
D-2	SC-0354-4115		Screw (M6×P1.0)	1	1	1	1	
D-3	06-003A-106L		Feed Regulator	1	1	1	1	
D-4	06-004G-106L		Feed Regulator Spring	1	1	1	1	
D-5	06-005C-106L		Regulating Lever For Feed	1	1	1	1	
D-6	06-006S-106L		Screw (M5×P0.8)	1	1	1	1	
D-7	06-007P-106L		Pin For D-5	1	1	1	1	
D-8	SC-0165-4517		Screw (M5×P0.8)	1	1	1	1	
D-9	06-009A-106L		Feed Regulator Connecting Rod	1	1	1	1	
D-10	06-010P-106L		Pin For D-9	1	1	1	1	
D-11	06-011G-106L		Spring For D-9	1	1	1	1	
D-12	06-012C-106L		Spring Hook For D-9	1	1	1	1	
D-13	06-013A-106L		Feed Regulator Connecting Crank	1	1	1	1	
D-14	06-014S-106L		Screw (M6×P1.0)	1	1	1	1	
D-15	06-015A-106L		Feed Regulator Control Plate (U)	1	1	1	1	
D-16	SC-0193-4122		Screw (U) (3/16" n=28)	1	1	1	1	
D-17	06-017A-106L		Feed Regulator Dial Shaft (U)	1	1	1	1	
D-18	06-026P-1230		Pin(U) For D-15	1	1	1	1	
D-19	06-027G-1230		Spring(U) For D-15	1	1	1	1	
D-20	06-010R-1230		O-Ring(U) (P8)	1	1	1	1	
D-21	06-022A-106L		Feed Regulator Control Plate (D)	1	1	1	1	
D-22	SC-0193-4122		Screw (D) (3/16" n=28)	1	1			
D-23	06-017A-106L		Feed Regulator Dial Shaft (D)	1	1			
D-24	06-026P-1230		Pin(D) For D-23	1	1			
D-25	06-027G-1230		Spring(D) For D-23	1	1			
D-26	06-010R-1230		O-Ring(D) (P8)	1	1			
D-27	06-029A-106L		Reverse Feed Lever Shaft	1	1	1	1	
D-28	40-002C-2350		E-Ring (φ8)	1	1	1	1	
D-29	06-031C-106L		Washer For D-27	1	1	1	1	
D-30	06-032C-106L		Cover For D-27	1	1	1	1	
D-31	SC-0211-4113		Screw (M4×P0.7)	3	3	3	3	
D-32	06-034G-106L		Spring For D-34	1	1	1	1	
D-33	06-035C-106L		Spring Stopper For D-34	1	1	1	1	
D-34	06-062A-7500		Reverse Feed Lever	1	1	1	1	
D-35	06-037A-106L		Connecting Bracket "A" For D-34	1	1			
D-36	SC-A117-4417		Screw For D-34	1	1	1	1	
D-37	06-035C-106L		Stopper For D-34	1	1	1	1	
D-38	06-040R-106L		Rubber For D-37	1	1	1	1	
D-39	06-041A-106L		Connecting Bracket "B" For D-34	1	1	1	1	
D-40	06-042C-106L		Connecting Link For D-34	1	1			
D-41	43-016S-640L		Stud Screw For D-34	2	2			
D-42	05-016C-106L		Nut (15/64" n=28)	2	2			
D-43	06-045A-106L		Bracket Support For D-34	1	1			
D-44	06-046W-106L		Washer For D-43	1	1			
D-45	SC-0108-4113		Screw (M6×P1.0)	1	1			
D-46	06-048A-106L		Reverse Feed Cylinder	1	1			
D-47	06-049A-106L		Bracket For D-46	1	1	1	1	
D-48	06-050A-106L		Knuckle For D-46	1	1	1	1	
D-49	SN-0102-4000		Nut (M6×P1.0)	1	1	1	1	
D-50	06-052P-106L		Knuckle Pin For D-46	1	1	1	1	
D-51	05-014C-1230		E-Ring (φ4)	2	2			
D-52	SC-0108-4113		Screw (M6×P1.0)	2	2			
D-53	01-020W-2350		Washer For D-52	2	2			
D-54	SC-0162-4113		Screw (M5×P0.8)	2	2			
D-55	07-011W-1230		Washer For D-52	2	2			
D-56	06-058A-106L		Stitch Length Changing Cylinder	1	1			
D-57	SC-0108-4113		Screw (M6×P1.0)	2	2			
D-58	07-020W-2350		Washer For D-57	2	2			
D-59	SC-0109-4113		Screw (M6×P1.0)	1	1			
D-60	SN-0102-4000		Nut (M6×P1.0)	1	1			
D-61	06-063A-106L		Bracket For D-56	1	1			
D-62	SC-0162-4113		Screw (M5×P0.8)	3	3			



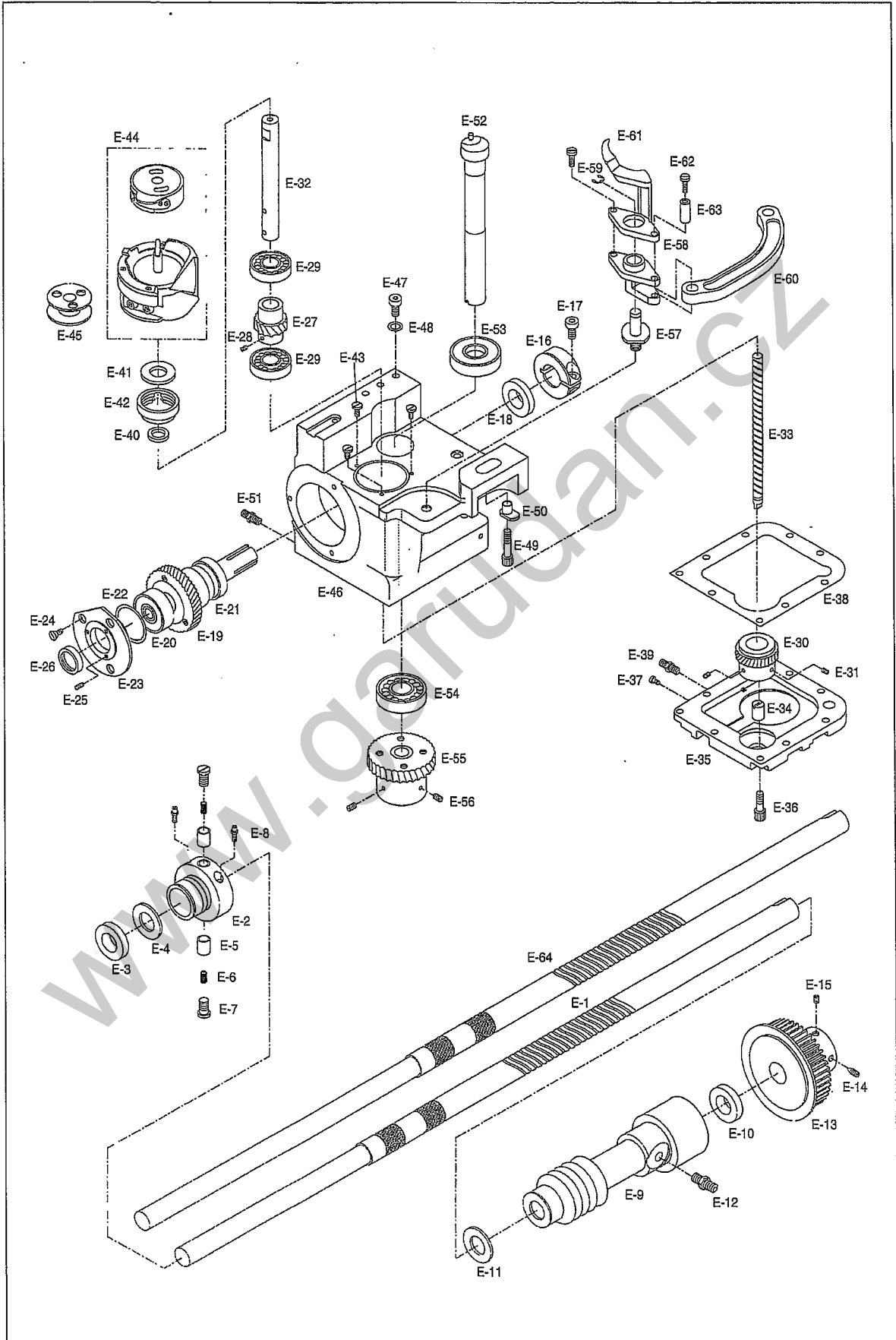
Feed Mechanism



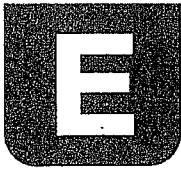
Ref. No.	Parts No.	Note	Name of Parts	Qty				Assembly No.
				133-448	133-443	233-448	233-443	
D-63	07-011W-1230		Washer For D-62	3		3		
D-64	06-066A-106L		Feed Regulator Shaft	1	1	1	1	
D-65	06-067R-106L		Oil Seal (S)	1	1	1	1	
D-66	06-068R-106L		Oil Seal (L)	1	1	1	1	
D-67	06-069A-106L		Block For D-64	2	2	2	2	
D-68	06-070P-106L		Block Pin For D-64	1	1	1	1	
D-69	06-071A-106L		Block Guide For D-64	2	2	2	2	
D-70	SC-0162-4113		Screw (M5×P0.8)	4	4	4	4	
D-71	07-011W-1230		Washer For D-70	4	4	4	4	
D-72	06-074P-106L		Guide Pin For D-64	1	1	1	1	
D-73	06-075G-106L		Spring For D-64	1	1	1	1	
D-74	06-076S-106L		Screw (M10×P1.5)	1	1	1	1	
D-75	06-077A-106L		Under Feed Cam	1	1	1	1	
D-76	SC-A117-4417		Screw (1/4" n=40)	2	2	2	2	
D-77	06-079A-106L		Horizontal Feed Rod	1	1	1	1	
D-78	06-080P-106L		Stud Screw	1	1	1	1	
D-79	05-012C-106L		Nut (15/64" n=28)	1	1	1	1	
D-80	06-082A-106L		Needle Bearing For D-77	1	1	1	1	
D-81	06-083A-106L		Feed Regulator Connecting Rod	1	1	1	1	
D-82	06-080P-106L		Stud Screw	1	1	1	1	
D-83	05-012C-106L		Nut (15/64" n=28)	1	1	1	1	
D-84	06-086A-106L		Feed Rocker Shaft Cam	1	1	1	1	
D-85	SC-0114-4515		Screw (15/64" n=28)	2	2	2	2	
D-86	06-088A-106L		Vertical Feed Rod	1	1	1	1	
D-87	06-080P-106L		Stud Screw	1	1	1	1	
D-88	05-012C-106L		Nut (15/64" n=28)	1	1	1	1	
D-89	06-091A-106L		Needle Bearing For D-86	1	1	1	1	
D-90	06-092A-106L		Feed Bar Connecting Crank	1	1	1	1	
D-91	06-093P-106L		Pin For D-90	1	1	1	1	
D-92	06-046W-7400		Washer For D-90	2	2	2	2	
D-93	SC-0113-4515		Screw (11/64" n=40)	1	1	1	1	
D-94	44-0000-1230		Oil Wick For D-91	1	1	1	1	
D-95	SC-0343-4122		Screw (15/64" n=28)	1	1	1	1	
D-96	06-098A-106L		Feed Driving Shaft	1	1	1	1	
D-97	06-099A-106L		Front Bushing For D-96	1	1	1	1	
D-98	06-100A-106L		Middle Bushing For D-96	1	1	1	1	
D-99	06-101R-106L		Oil Seal For D-98	1	1	1	1	
D-100	06-102A-106L		Rear Bushing For D-96	1	1	1	1	
D-101	06-103R-106L		Oil Seal For D-100	1	1	1	1	
D-102	06-052A-9570		Collar For D-96	2	2	2	2	
D-103	SC-0110-4115		Screw (15/64" n=28)	2	2	2	2	
D-104	06-106A-106L		Crank For D-96	1	1	1	1	
D-105	SC-0109-4113		Screw (M6×P1.0)	1	1	1	1	
D-106	06-108A-106L		Feed Dog Support	1	1	1	1	
D-107	06-109A-106L		Feed Dog	1	1			
D-108	SC-A174-4122		Screw (11/64" n=40)	2	2	2	2	
D-109	06-111A-106L		Connecting Link For D-106	2	2	2	2	
D-110	06-112A-106L		Connecting Shaft For D-106	2	2	2	2	
D-111	06-046W-7400		Washer For D-110	2	2	2	2	
D-112	05-012C-106L		Oil Wick For D-110	2	2	2	2	
D-113	06-116A-106L		Feed Rocker Shaft	1	1	1	1	
D-114	06-117A-106L		Front Crank D-113	1	1	1	1	
D-115	SC-0109-4113		Screw (M6×P1.0)	1	1	1	1	
D-116	06-120A-106L		Front Bushing For D-113	1	1	1	1	
D-117	06-121A-106L		Rear Bushing For D-113	1	1	1	1	
D-118	06-122R-106L		Oil Seal For D-117	1	1	1	1	
D-119	06-123R-106L		Bed Rubber Cap	1	1	1	1	
D-120	06-152A-9570		Collar For D-113	2	2	2	2	
D-121	SC-0110-4115		Screw (15/64" n=28)	2	2	2	2	
D-122	06-126A-106L		Rear Crank For D-113	1	1	1	1	
D-123	SC-0109-4113		Screw (M6×P1.0)	1	1	1	1	
D-124	06-127A-106L		Arm Rear Cover		1		1	



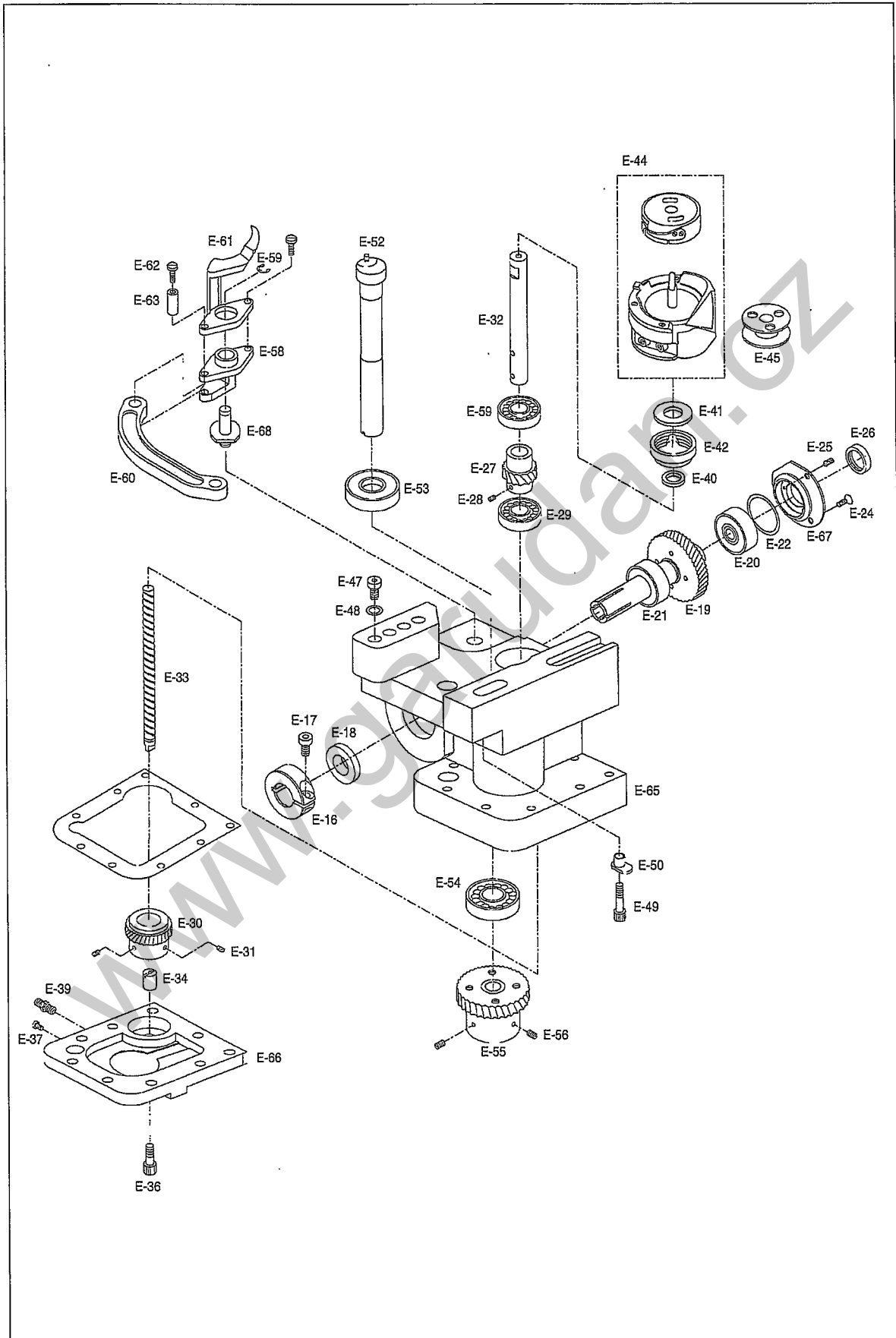
Lower Shaft & Hook Mechanism



Ref. No.	Parts No.	Note	Name of Parts	Unit	Qty				Assembly No.
					133-448	133-443	233-448	233-443	
E-1	07-001A-106L		Lower Shaft		1	1			
E-2	07-002A-106L		Front Bushing For E-1		1	1	1	1	
E-3	07-003R-106L		Oil Seal For E-2		1	1	1	1	
E-4	44-002R-2500		Front Bushing O-Ring (G-25)		1	1	1	1	
E-5	07-004A-106L		Oil Pump Piston		2	2	2	2	
E-6	07-005G-106L		Piston Spring For Oil Pump		2	2	2	2	
E-7	07-006S-106L		Cap Bolt For Oil Pump		2	2	2	2	
E-8	44-134C-5700		Oil Nipple For E-2		2	2	2	2	
E-9	07-008A-106L		Rear Bushing For E-1		1	1	1	1	
E-10	07-009R-106L		Oil Seal For E-9		1	1	1	1	
E-11	44-002R-2500		Rear Bushing O-Ring (G-25)		1	1	1	1	
E-12	44-134C-5700		Oil Nipple For E-9		1	1	1	1	
E-13	07-011A-106L		Timing Belt Pulley (D)		1	1	1	1	
E-14	SC-A117-4417		Screw "A" (1/4" n=40)		1	1	1	1	
E-15	SC-0153-4117		Screw "B" (1/4" n=40)		1	1	1	1	
E-16	07-014A-106L		Collar for E-1		1	1	2	2	
E-17	SC-0162-4113		Screw (M5×P0.8)		1	1	2	2	
E-18	07-016R-106L		Oil Seal For E-1		1	1	2	2	
E-19	07-017A-106L		Lower Shaft Gear Ass'y		1	1	2	2	
E-20	07-022R-106L		Front Bearing For E-1		1	1	2	2	
E-21	07-023C-106L		Rear Bearing For E-1		2	2	4	4	
E-22	SC-0302-4114		O-Ring (P-36)		1	1	4	4	
E-23	07-023C-106L		Front Cover For Hook Base		1	1	1	1	
E-24	SC-0302-4114		Screw (11/64" n=40)		3	3	6	6	
E-25	SC-A350-4514		Screw (1/80" n=40)		3	3	6	6	
E-26	07-026R-106L		Oil Seal For E-23		1	1	2	2	
E-27	07-027A-106L		Hook Shaft Gear "A"		1	1	2	2	
E-28	SC-0164-4517		Screw (M5×P0.8)		2	2	4	4	
E-29	07-029A-106L		Hook Shaft Bearing		2	2	4	4	
E-30	07-030A-106L		Hook Shaft Gear "B"		1	1	2	2	
E-31	SC-0164-4517		Screw (M5×P0.8)		2	2	4	4	
E-32	07-032A-106L		Hook Shaft "A"		1	1	2	2	
E-33	07-033A-106L		Hook Shaft "B"		1	1	2	2	
E-34	07-034A-106L		Holder For E-33		1	1	2	2	
E-35	07-035C-106L		Hook Base Cover		1	1	1	1	
E-36	SC-0211-4113		Screw (M4×P0.7)		9	9	18	18	
E-37	SC-0132-4113		Screw (M3×P0.5)		1	1	2	2	
E-38	07-038M-106L		Gasket For E-35		1	1	2	2	
E-39	44-134C-5700		Oil Nipple For E-35		1	1	2	2	
E-40	07-040W-106L		Washer "A" For Hook		1	1	2	2	
E-41	07-041W-106L		Washer "B" For Hook		1	1	2	2	
E-42	07-042C-106L		Support Ring For Hook		1	1	2	2	
E-43	SC-0128-4118		Screw (11/64" n=40)		3	3	6	6	
E-44	07-044A-106L		Hook		1	1	2	2	
E-45	07-045A-106L		Bobbin		1	1	2	2	
E-46	07-046A-106L		Hook Base		1	1	1	1	
E-47	SC-0108-4113		Screw "A" (M6×P1.0)		1	1	2	2	
E-48	06-002W-2350		Washer For E-47		2	2	4	4	
E-49	SC-0108-4113		Screw "B" (M6×P1.0)		1	1	2	2	
E-50	07-050A-106L		Adjusting Collar For E-46		1	1	2	2	
E-51	44-134C-5700		Oil Nipple For E-46		1	1	2	2	
E-52	07-052A-106L		Opener Shaft		1	1	2	2	
E-53	04-010A-106L		Bearing (U) For E-52		1	1	2	2	
E-54	07-054A-106L		Bearing (L) For E-52		1	1	2	2	
E-55	07-055A-106L		Opener Shaft Gear Ass'y		1	1	2	2	
E-56	SC-0164-4517		Screw (M5×P0.8)		2	2	4	4	
E-57	07-059S-106L		Stud Crew For E-52		1	1	1	1	
E-58	07-060A-106L		Opener Base		1	1	2	2	
E-59	05-014C-1230		E-Ring (φ4)		1	1	2	2	
E-60	07-062C-106L		Opener Connecting Link		1	1	2	2	
E-61	07-063A-106L		Opener		1	1	2	2	
E-62	15-003S-9570		Screw (1/8" n=40)		2	2	4	4	
E-63	07-065P-106L		Hinge Pin For E-60		1	1	2	2	
E-64	GP-000190,00		Lower Shaft				1	1	
E-65	GP-000197,00		Hook Base (L)				1	1	
E-66	GP-000199,00		Hook Base Cover (L)				1	1	
E-67	GP-000198,00		Front Hook Base Cover (L)				1	1	
E-68	GP-000032,00		Stud Screw For Opener Shaft				1	1	



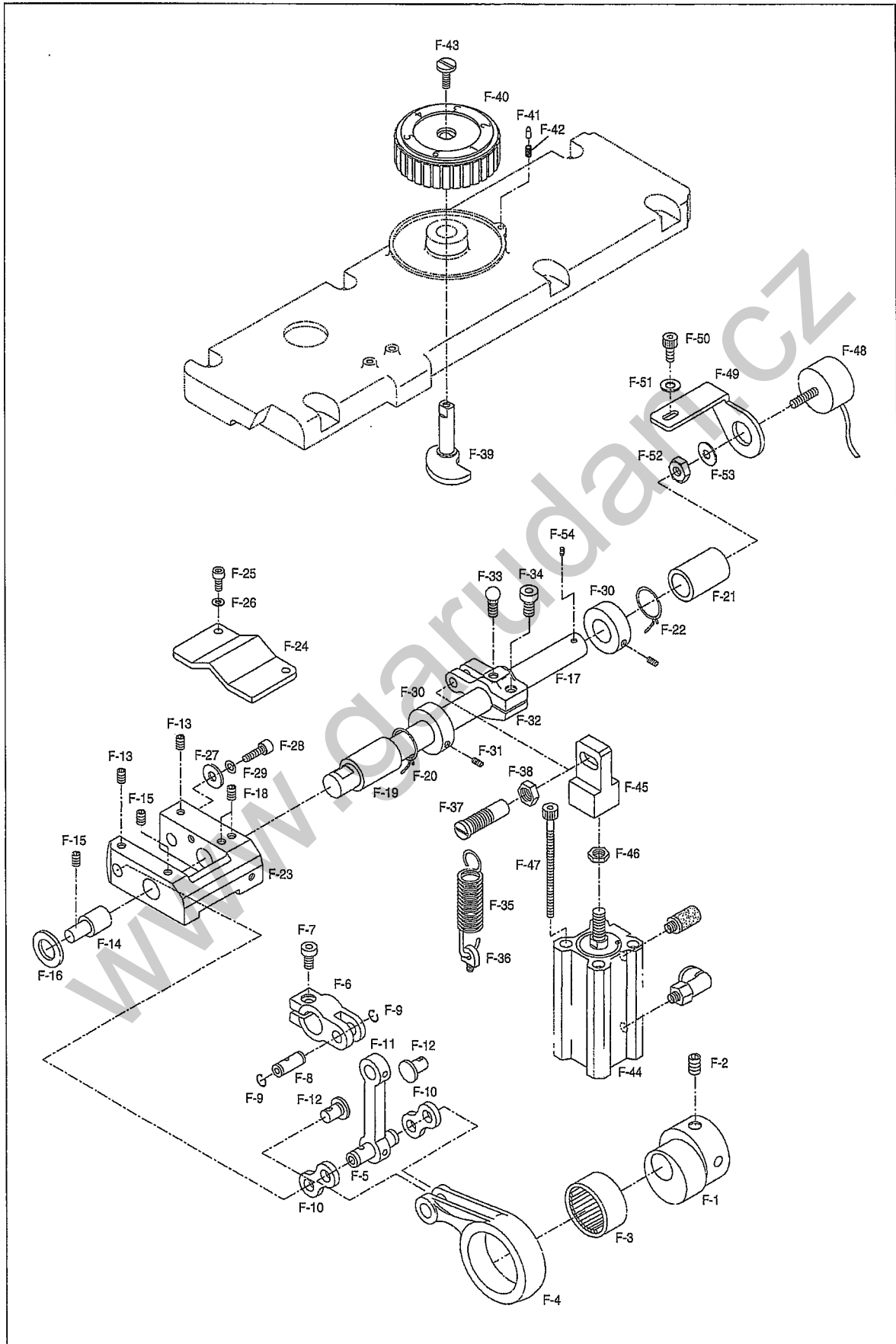
Lower Shaft & Hook Mechanism



Ref. No.	Part's No.	Note	Name of Parts	品名	品番	数量				Assembly No.
						133-448	133-443	233-448	233-443	
E-1	07-001A-106L		Lower Shaft			1	1			
E-2	07-002A-106L		Front Bushing For E-1			1	1	1	1	
E-3	07-003R-106L		Oil Seal For E-2			1	1	1	1	
E-4	44-002R-2500		Front Bushing O-Ring (G-25)			1	1	1	1	
E-5	07-004A-106L		Oil Pump Piston			2	2	2	2	
E-6	07-005G-106L		Piston Spring For Oil Pump			2	2	2	2	
E-7	07-006S-106L		Cap Bolt For Oil Pump			2	2	2	2	
E-8	44-134C-5700		Oil Nipple For E-2			2	2	2	2	
E-9	07-008A-106L		Rear Bushing For E-1			1	1	1	1	
E-10	07-009R-106L		Oil Seal For E-9			1	1	1	1	
E-11	44-002R-2500		Rear Bushing O-Ring (G-25)			1	1	1	1	
E-12	44-134C-5700		Oil Nipple For E-9			1	1	1	1	
E-13	07-011A-106L		Timing Belt Pulley (D)			1	1	1	1	
E-14	SC-A117-4417		Screw "A" (1/4" n=40)			1	1	1	1	
E-15	SC-0153-4117		Screw "B" (1/4" n=40)			1	1	1	1	
E-16	07-014A-106L		Collar for E-1			1	1	2	2	
E-17	SC-0162-4113		Screw (M5×P0.8)			1	1	2	2	
E-18	07-016R-106L		Oil Seal For E-1			1	1	2	2	
E-19	07-017A-106L		Lower Shaft Gear Ass'y			1	1	2	2	
E-20	07-022R-106L		Front Bearing For E-1			1	1	2	2	
E-21	07-023C-106L		Rear Bearing For E-1			2	2	4	4	
E-22	SC-0302-4114		O-Ring (P-36)			1	1	4	4	
E-23	07-023C-106L		Front Cover For Hook Base			1	1	1	1	
E-24	SC-0302-4114		Screw (11/64" n=40)			3	3	6	6	
E-25	SC-A350-4514		Screw (1/80" n=40)			3	3	6	6	
E-26	07-026R-106L		Oil Seal For E-23			1	1	2	2	
E-27	07-027A-106L		Hook Shaft Gear "A"			1	1	2	2	
E-28	SC-0164-4517		Screw (M5×P0.8)			2	2	4	4	
E-29	07-029A-106L		Hook Shaft Bearing			2	2	4	4	
E-30	07-030A-106L		Hook Shaft Gear "B"			1	1	2	2	
E-31	SC-0164-4517		Screw (M5×P0.8)			2	2	4	4	
E-32	07-032A-106L		Hook Shaft "A"			1	1	2	2	
E-33	07-033A-106L		Hook Shaft "B"			1	1	2	2	
E-34	07-034A-106L		Holder For E-33			1	1	2	2	
E-35	07-035C-106L		Hook Base Cover			1	1	1	1	
E-36	SC-0211-4113		Screw (M4×P0.7)			9	9	18	18	
E-37	SC-0132-4113		Screw (M3×P0.5)			1	1	2	2	
E-38	07-038M-106L		Gasket For E-35			1	1	2	2	
E-39	44-134C-5700		Oil Nipple For E-35			1	1	2	2	
E-40	07-040W-106L		Washer "A" For Hook			1	1	2	2	
E-41	07-041W-106L		Washer "B" For Hook			1	1	2	2	
E-42	07-042C-106L		Support Ring For Hook			1	1	2	2	
E-43	SC-0128-4118		Screw (11/64" n=40)			3	3	6	6	
E-44	07-044A-106L		Hook			1	1	2	2	
E-45	07-045A-106L		Bobbin			1	1	2	2	
E-46	07-046A-106L		Hook Base			1	1	1	1	
E-47	SC-0108-4113		Screw "A" (M6×P1.0)			1	1	2	2	
E-48	06-002W-2350		Washer For E-47			2	2	4	4	
E-49	SC-0108-4113		Screw "B" (M6×P1.0)			1	1	2	2	
E-50	07-050A-106L		Adjusting Collar For E-46			1	1	2	2	
E-51	44-134C-5700		Oil Nipple For E-46			1	1	2	2	
E-52	07-052A-106L		Opener Shaft			1	1	2	2	
E-53	04-010A-106L		Bearing (U) For E-52			1	1	2	2	
E-54	07-054A-106L		Bearing (L) For E-52			1	1	2	2	
E-55	07-055A-106L		Opener Shaft Gear Ass'y			1	1	2	2	
E-56	SC-0164-4517		Screw (M5×P0.8)			2	2	4	4	
E-57	07-059S-106L		Stud Crew For E-52			1	1	1	1	
E-58	07-060A-106L		Opener Base			1	1	2	2	
E-59	05-014C-1230		E-Ring (φ4)			1	1	2	2	
E-60	07-062C-106L		Opener Connecting Link			1	1	2	2	
E-61	07-063A-106L		Opener			1	1	2	2	
E-62	15-003S-9570		Screw (1/8" n=40)			2	2	4	4	
E-63	07-065P-106L		Hinge Pin For E-60			1	1	2	2	
E-64	GP-000190,00		Lower Shaft					1	1	
E-65	GP-000197,00		Hook Base (L)					1	1	
E-66	GP-000199,00		Hook Base Cover (L)					1	1	
E-67	GP-000198,00		Front Hook Base Cover (L)					1	1	
E-68	GP-000032,00		Stud Screw For Opener Shaft					1	1	



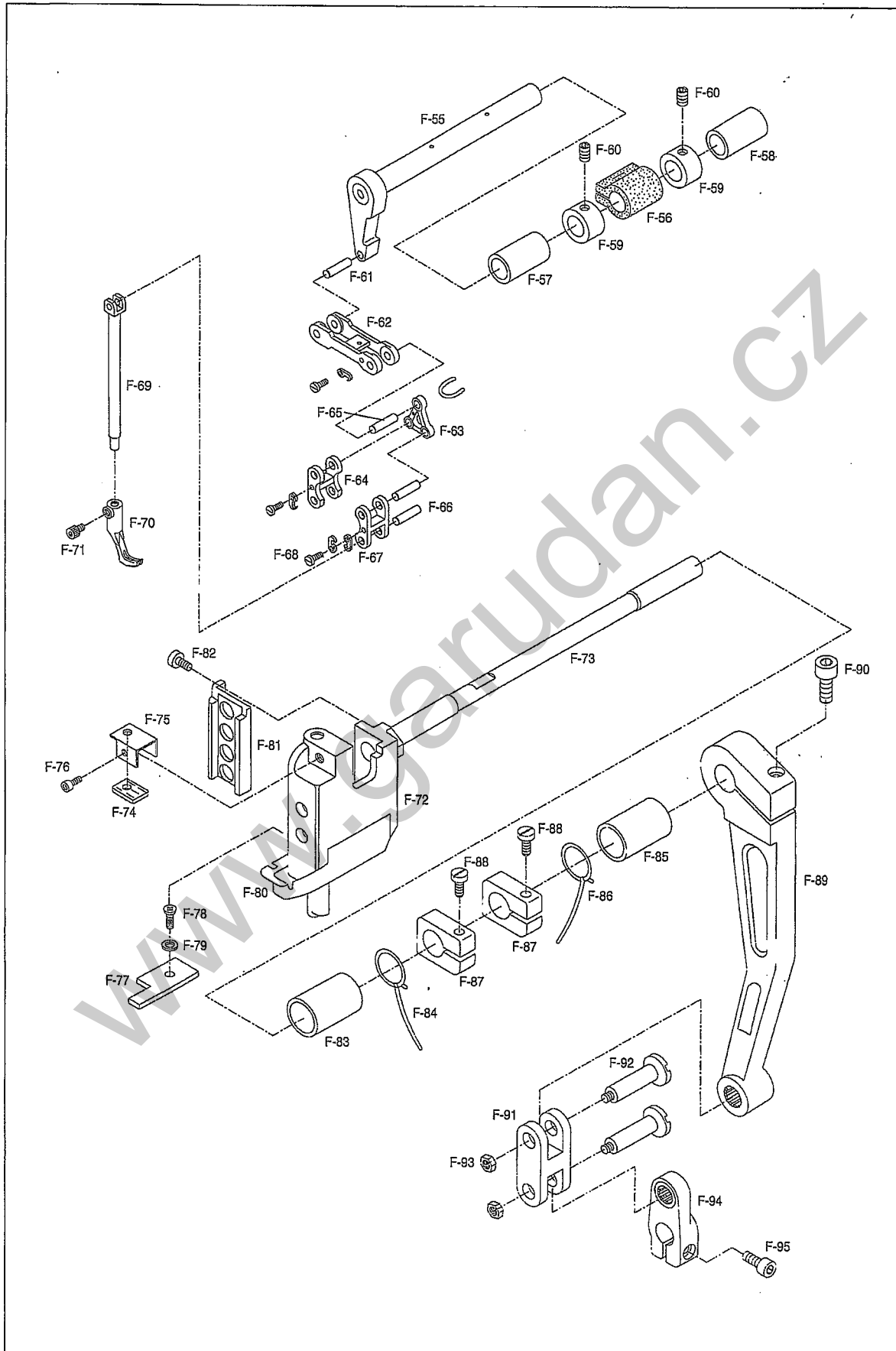
Upper Feed Mechanism



Ref. No.	Parts No.	Note	Name of Parts	QTY	QTY				Assembly No.
					133-448	133-443	233-448	233-443	
F-1	15-001A-106L		Presser Foot Driving Cam	1	1				
F-2	SC-A308-4517		Screw (1/4" n=40)	2	2	1	1		
F-3	15-003A-106L		Needle Bearing For F-1	1	1	1	1		
F-4	15-004A-106L		Connection Rod For Upper Feed	1	1	1	1		
F-5	15-005P-106L		Pin For F-4	1	1	1	1		
F-6	15-006A-106L		Connection Crank For Upper Feed	1	1	1	1		
F-7	SC-0109-4113		Screw (M6×P1.0)	1	1	1	1		
F-8	15-008P-106L		Pin For F-7	1	1	1	1		
F-9	15-009C-106L		G-Ring (φ 8)	2	2	2	2		
F-10	15-101C-106L		Connection Link "A" For Climb Shaft	2	2	2	2		
F-11	15-011C-106L		Connection Link "B" For Climb Shaft	1	1	1	1		
F-12	06-010P-106L		Pin For F-10	2	2	2	2		
F-13	SC-0164-4517		Screw (M5×P0.8)	2	2	2	2		
F-14	15-014A-106L		Climb Device Shaft "A"	1	1	1	1		
F-15	SC-0164-4517		Screw (M5×P0.8)	2	2	2	2		
F-16	05-008M-106L		Felt For F-14	1	1	1	1		
F-17	15-017A-106L		Climb Device Shaft "B"	1	1	1	1		
F-18	SC-0164-4517		Screw (M5×P0.8)	2	2	2	2		
F-19	15-019A-106L		Front Bushing For F-17	1	1	1	1		
F-20	44-0000-1230		Oil Wick For F-19	1	1	1	1		
F-21	15-021A-106L		Rear Bushing For F-17	1	1	1	1		
F-22	44-0000-1230		Oil Wick For F-21	1	1	1	1		
F-23	15-023A-106L		Climb-Device Body	1	1	1	1		
F-24	15-024C-106L		Stopper For F-23	1	1	1	1		
F-25	SC-0211-4113		Screw (M4×P0.7)	2	2	2	2		
F-26	44-011W-1600		Washer For F-25	2	2	2	2		
F-27	15-027W-106L		Stopper Washer For F-23	1	1	1	1		
F-28	15-028S-106L		Screw (M5×P0.8)	2	2	2	2		
F-29	07-011W-1230		Washer For F-28	2	2	2	2		
F-30	06-052A-9510		Collar For F-17	2	2	2	2		
F-31	SC-0110-4115		Screw (15/64" n=28)	2	2	2	2		
F-32	15-032A-106L		Crank For Climb Device	1	1	1	1		
F-33	15-033P-106L		Pin For F-32	1	1	1	1		
F-34	SC-0109-4113		Screw (M6×P1.0)	1	1	1	1		
F-35	15-035G-106L		Return Spring For F-17	1	1	1	1		
F-36	06-016C-380L		Holder For F-35	1	1	1	1		
F-37	15-037C-106L		Hook For F-35	1	1	1	1		
F-38	15-038C-106L		Nut (M8×P1.25)	1	1	1	1		
F-39	15-039A-106L		Presser Foot Lifting Cam	1	1	1	1		
F-40	15-040A-106L		Adjusting Dial For F-39	1	1	1	1		
F-41	15-041P-106L		Stopper Pin For F-40	1	1	1	1		
F-42	15-042G-106L		Spring For F-40	1	1	1	1		
F-43	SC-0316-4124		Screw (11/64" n=40)	1	1	1	1		
F-44	15-044A-106L		Climb Shaft Cylinder	1		1			
F-45	15-045A-106L		Nuckle For F-44	1		1			
F-46	SN-0102-4000		Nut (M6×P1.0)	1		1			
F-47	15-047S-106L		Screw (M3×P0.5)	2		2			
F-48	15-048A-106L		Potentiometer	1		1			
F-49	15-049A-106L		Bracket For F-48	1		1			
F-50	SC-0211-4113		Screw (M4×P0.7)	1		1			
F-51	02-011W-2302		Washer For F-50	1		1			
F-52	15-052C-106L		Nut For F-48	1		1			
F-53	15-053W-106L		Washer For F-48	1		1			
F-54	SC-0105-4517		Screw (M4×P0.7)	1		1			



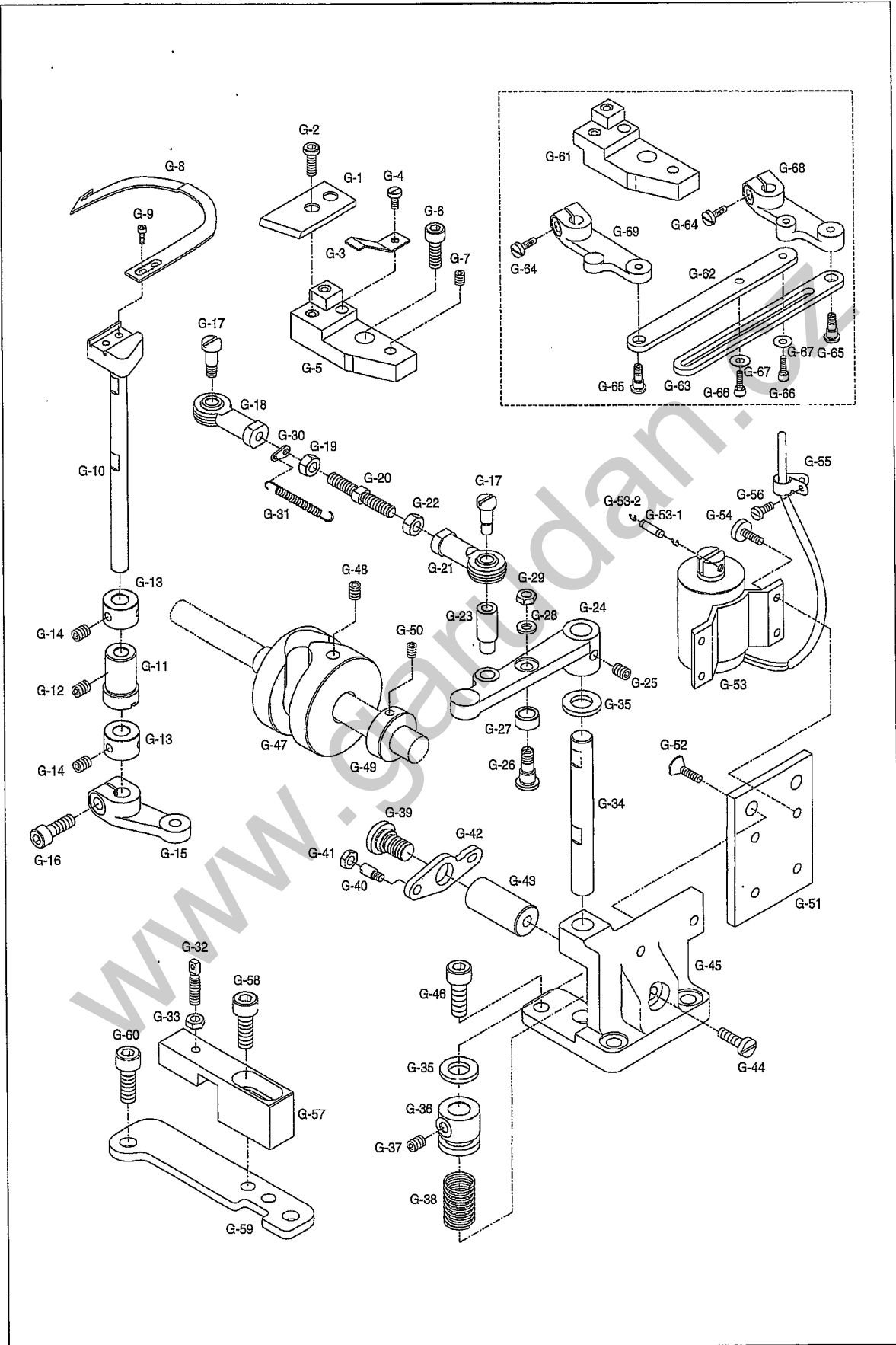
Upper Feed Mechanism



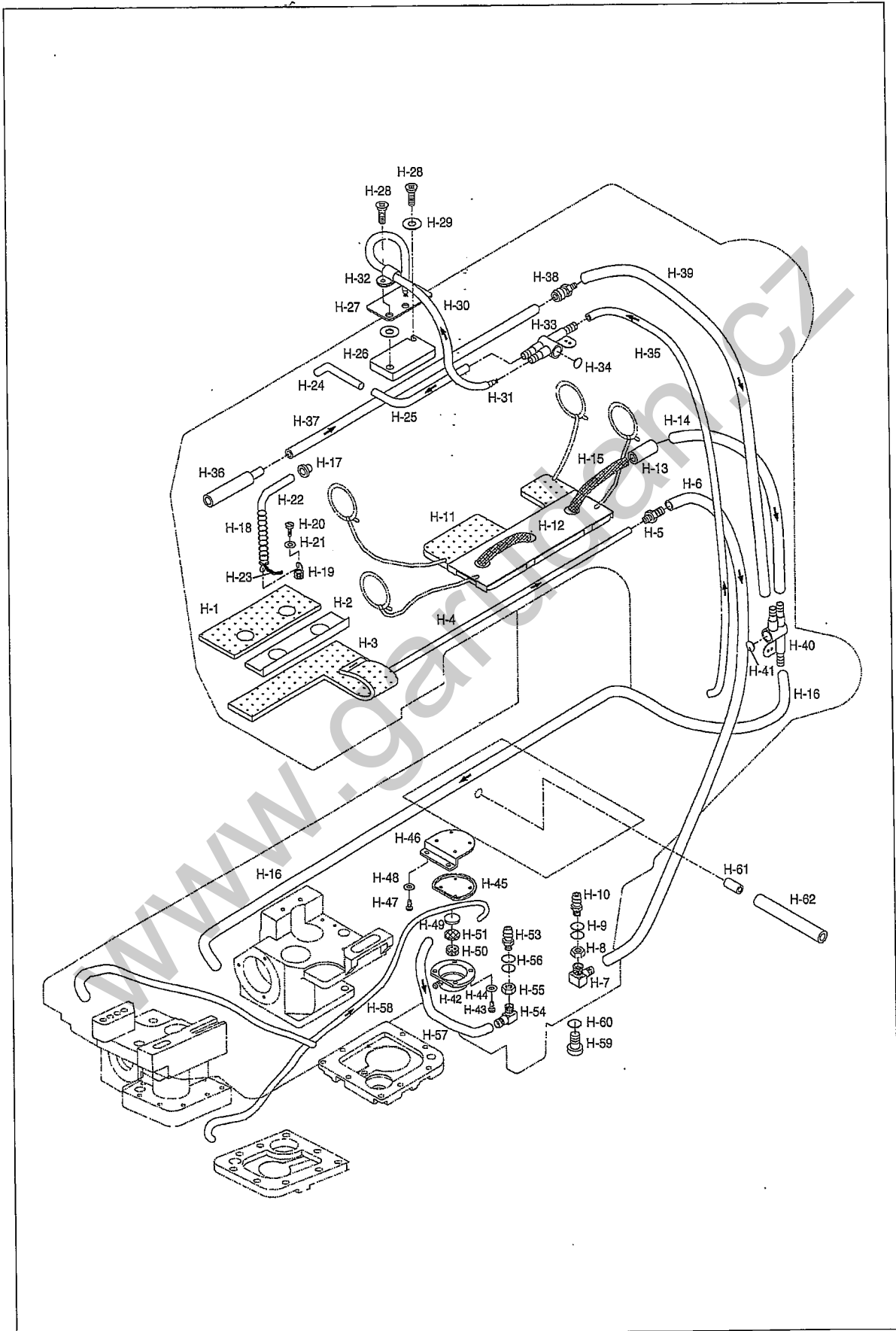
Ref. No.	Parts No.	Notes	Name of Parts	QTY	QTY				Assembly No.
					133-448	133-443	233-448	233-443	
F-55	15-055A-106L		Upper Feed Driving Shaft	1	1	1	1	1	
F-56	15-056M-106L		Felt For F-55	1	1	1	1	1	
F-57	15-057A-106L		Front Bushing For F-55	1	1	1	1	1	
F-58	15-058A-106L		Rear Bushing For F-55	1	1	1	1	1	
F-59	06-052A-9570		Collar For F-55	2	2	2	2	2	
F-60	SC-0110-4115		Screw (15/64" n=28)	2	2	2	2	2	
F-61	15-061P-106L		Pin For F-55	1	1	1	1	1	
F-62	15-062A-106L		Connection Link For Upper Feed	1	1	1	1	1	
F-63	15-063A-106L		Triangular Link For Presser	1	1	1	1	1	
F-64	15-064A-106L		Connection Rod For F-63	2	2	2	2	2	
F-65	15-065P-106L		Pin for F-62	1	1	1	1	1	
F-66	15-066P-106L		Presser Bar Connecting Pin	2	2	2	2	2	
F-67	15-067C-106L		Pin Holder For F-66	4	4	4	4	4	
F-68	SC-0297-4118		Screw (1/8" n=40)	3	3	3	3	3	
F-69	15-069C-106L		Walking Bar	1	1	1	1	1	
F-70	15-070A-106L		Upper Feed Presser Foot	1	1				
F-71	15-003S-106L		Screw (M4×P0.7)	1	1	1	1	1	
F-72	15-078A-106L		Needle Bar Frame	1	1	1	1	1	
F-73	15-079A-106L		Needle Bar Rock Shaft	1	1	1	1	1	
F-74	15-080M-106L		Felt For F-78	1	1	1	1	1	
F-75	15-018C-106L		Holder For F-80	1	1	1	1	1	
F-76	SC-0211-4113		Screw (M4×P0.7)	1	1	1	1	1	
F-77	15-083M-106L		Lower Felt For F-78	1	1	1	1	1	
F-78	05-045S-9570		Screw (M4×P0.7)	1	1	1	1	1	
F-79	02-011W-2302		Washer For F-84	1	1	1	1	1	
F-80	15-086C-106L		Sealing Cover For r-78	1	1	1	1	1	
F-81	15-087A-106L		Guide For Needle Bar Block	1	1	1	1	1	
F-82	SC-0211-4113		Screw (M4×P0.7)	2	2	2	2	2	
F-83	15-089A-106L		Front Bushing For F-79	1	1	1	1	1	
F-84	44-0000-1230		Oil Wick For F-90	1	1	1	1	1	
F-85	15-091A-106L		Rear Bushing For F-79	1	1	1	1	1	
F-86	44-0000-1230		Oil Wick For F-90	1	1	1	1	1	
F-87	15-093A-106L		Collar For F-79	2	2	2	2	2	
F-88	SC-0127-4119		Screw (11/64" n=40)	2	2	2	2	2	
F-89	15-095A-106L		Connection Rod For F-79	1	1	1	1	1	
F-90	SC-0109-4113		Screw (11/64" n=40)	1	1	1	1	1	
F-91	15-097A-106L		Needle Bar Rock Shaft Link	1	1	1	1	1	
F-92	15-098P-106L		Stud Screw For F-89	2	2	2	2	2	
F-93	05-012C-106L		Nut For F-89	2	2	2	2	2	
F-94	15-100A-106L		Needle Bar Rock Shaft Crank	1	1	1	1	1	
F-95	15-101S-106L		Screw (M6×P1.0)	1	1	1	1	1	



Thread Trimmer Mechanism



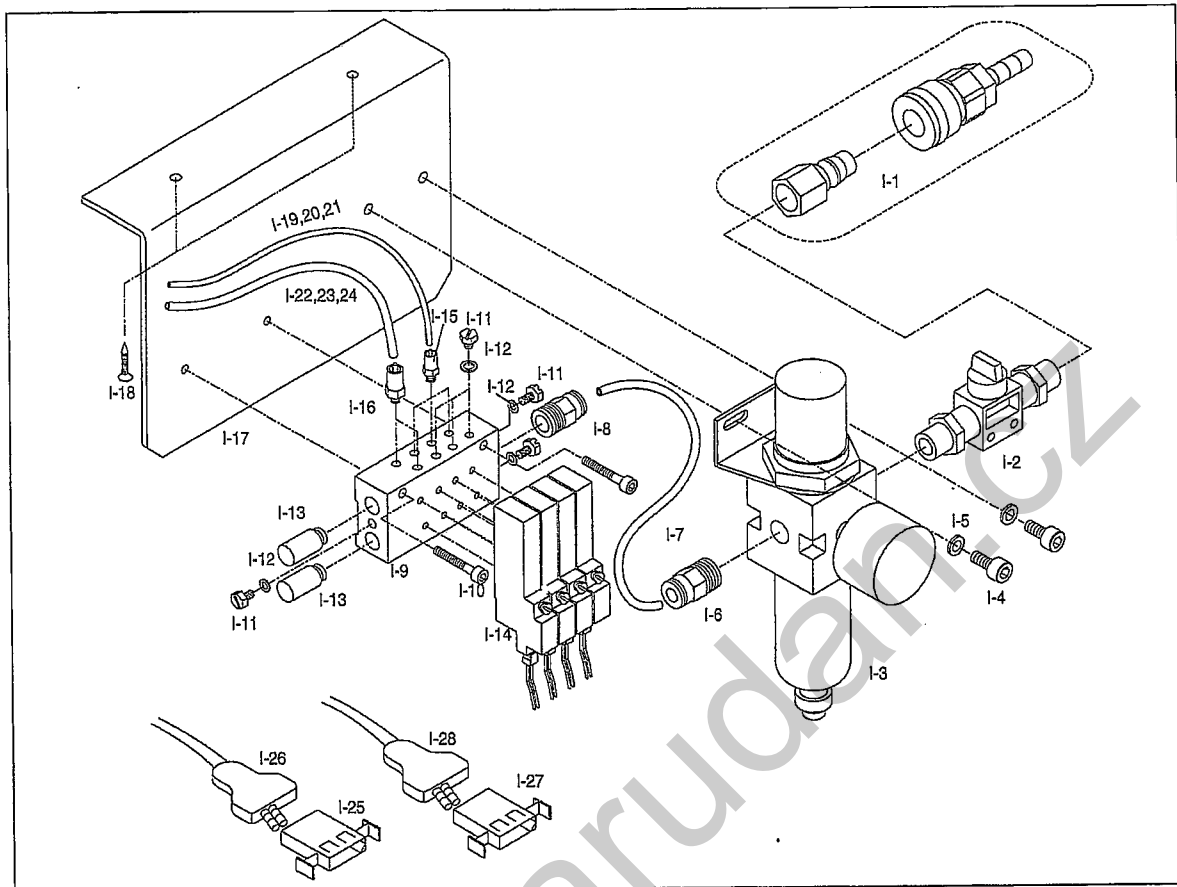
Ref. No.	Parts No.	Notes	Name of Parts	Unit	Qty			Assembly No.
					133-448	133-443	233-448	
G-1	10-001A-1067		Fixed Mess		1		2	
G-2	10-002S-1067		Screw (11/64" n=40)		2		4	
G-3	10-003C-1067		Lower Thread Catcher		1		2	
G-4	SC-0301-4119		Screw (9/64" n=40)		1		2	
G-5	10-005A-1067		Fixed Mess Base		1		1	
G-6	SC-0328-4413		Screw (M4×P0.7)		1		2	
G-7	SWF/A(13-30)		Screw (M4×P0.7)		1		2	
G-8	10-008A-1067		Moving Mess		1		2	
G-9	10-009S-1067		Screw (11/64" n=40)		2		4	
G-10	10-010A-1067		Moving Mess Shaft		1		2	
G-11	10-051A-7507		Bushing For Moving Mess Shaft		1		2	
G-12	SC-0105-4517		Screw (M5×P0.8)		1		2	
G-13	10-013A-1067		Collar For Moving Mess Shaft		2		4	
G-14	SC-0351-4517		Screw (3/16" n=32)		4		8	
G-15	10-015A-1067		Crank For Moving Mess Shaft		1			
G-16	SC-0162-4113		Screw (M5×P0.8)		1			
G-17	10-017C-1067		Stud Screw For Thread Trimming Connecting Rod		2		2	
G-18	10-220A-8577		Rod End(R)		1		1	
G-19	10-033C-7507		Nut For Rod End(R)		1		1	
G-20	10-034A-7507		Joint Connecting Shaft		1		1	
G-21	10-221A-8577		Rod End (L)		1		1	
G-22	10-036C-7507		Nut For Rod End(L)		1		1	
G-23	10-023S-1067		Screw For Thread Trimming Connecting Rod		1		1	
G-24	10-024A-1067		Thread Trimming Rock Link		1		1	
G-25	SC-0104-4517		Screw (11/64" n=40)		2		2	
G-26	10-067S-7507		Stud Screw For G-26		1		1	
G-27	10-066A-7507		Roller For Thread Trimming Cam		1		1	
G-28	07-011W-1230		Washer For G-26		1		1	
G-29	10-033C-7507		Nut For G-26		1		1	
G-30	10-030C-1067		Thread Trimming Return Spring Hook		1		1	
G-31	10-031G-1067		Thread Trimming Return Spring		1		1	
G-32	10-019S-7507		Screw (11/64" n=40)		1		1	
G-33	SN-0101-4000		Nut (11/64" n=40)		1		1	
G-34	10-034A-1067		Thread Trimming Driving Shaft		1		1	
G-35	10-043R-9577		Rubber Washer For G-34		2		2	
G-36	10-036A-1067		Controlled Collar For G-34		1		1	
G-37	SC-0351-4517		Screw (3/16" n=32)		1		1	
G-38	10-038G-1067		Return Spring For Thread Trimming Driving Shaft		1		1	
G-39	10-053S-7507		Stud Screw For Clutch Lever		1		1	
G-40	10-551S-7507		Screw For Clutch Lever		1		1	
G-41	SN-0101-4000		Nut (11/64" n=40)		1		1	
G-42	10-042C-1067		Clutch Lever		1		1	
G-43	10-043A-1067		Clutch Lever Shaft		1		1	
G-44	SC-0193-4122		Screw (3/16" n=28)		1		1	
G-45	10-045A-1067		Thread Trimming Base		1		1	
G-46	SC-0109-4113		Screw (M6×P1.0)		3		3	
G-47	10-047A-1067		Cam For Thread Trimming		1		1	
G-48	SC-A308-4517		Screw (1/4" n=40)		3		3	
G-49	07S022S-306H		Collar For G-47		1		1	
G-50	SC-0153-4117		Screw (1/4" n=40)		2		2	
G-51	10-058A-9577		Bracket For G-53		1		1	
G-52	01-007S-7600		Screw For G-53		2		2	
G-53	10-053A-1067		Tread Trimming Solenoid Ass'y		1		1	
G-53-1	10-061P-9577		Connecting Pin For Solenoid Shaft		1		1	
G-53-2	43-011C-9570		E-Ring For G-53-1		2		2	
G-54	10-061S-9577		Screw For G-53		4		4	
G-55	10-065A-9577		Cable Holder		1		1	
G-56	SC-0158-4122		Screw For G-55		2		2	
G-57	10-057C-1067		Tread Trimming Lever Stopper		1		1	
G-58	SC-0109-4113		Screw (M6×P1.0)		2		2	
G-59	10-058C-1067		Bracket For G-57		1		1	
G-60	SC-0109-4113		Screw (M6×P1.0)		2		2	
G-61	GP-000200,00		Fixed Mess Base (L)				1	
G-62	10-044A-7507		Moving Mess Shaft Connecting Rod(L)				1	
G-63	10-045A-7507		Moving Mess Shaft Connecting Rod(R)				1	
G-64	SC-0162-4113		Moving Mess Shaft Connecting Rod Screw				2	
G-65	10-046A-7507		Moving Mess Shaft Connecting Rod Stud Screw				2	
G-66	SC-0332-4111		Moving Mess Shaft Connecting Rod Screw				2	
G-67	10-020W-2700		Moving Mess Shaft Connecting Rod Washer				2	
G-68	GP-000202,00		Moving Mess Shaft Crank(L)				1	
G-69	GP-000202,00		Moving Mess Shaft Crank(R)				1	



Ref. No.	Parts No.	Notes	Name of Parts	Qty				Assembly No.
				133-448	133-443	233-448	233-443	
H-1	44-001M-106L		Face Plate Part Felt "A"	1	1	1	1	
H-2	44-002C-106L		Support For H-1	1	1	1	1	
H-3	44-003M-106L		Face Plate Part Felt "B"	1	1	1	1	
H-4	44-021C-1230		Returning Hose "A" For H-4	1	1	1	1	
H-5	44-007C-106L		Hose Nipple "B"	1	1	1	1	
H-6	44-008C-106L		Returning Hose "B" For H-4	1	1	1	1	
H-7	44-018C-5607		Connecting Nipple	1	1	1	1	
H-8	SN-0122-4000		Nut (5/16" n=28)	1	1	1	1	
H-9	44-078M-5607		Packing For H-9	2	2	2	2	
H-10	44-012C-106L		Hose Nipple "A"	1	1	1	1	
H-11	44-013M-106L		Returning Felt For Arm	1	1	1	1	
H-12	44-014C-106L		Holder For H-13	1	1	1	1	
H-13	44-015P-106L		Pin For H-16	1	1	1	1	
H-14	44S001S-306H		Hose For H-13	1	1	1	1	
H-15	44-0000-1230		Oil Wick For H-13	1	1	1	1	
H-16	44-012C-1230		Hose For H-42	1	1	1	1	
H-17	44-068M-106L		Rubber Cap	1	1	1	1	
H-18	44-022G-106L		Spring For H-24	1	1	1	1	
H-19	44-026G-7400		Hook For H-21	1	1	1	1	
H-20	SC-A156-4118		Screw (9/64" n=40)	1	1	1	1	
H-21	SW-0102-1011		Washer For H-23	1	1	1	1	
H-22	44-012C-1230		Hose For Triangular Link	1	1	1	1	
H-23	44-0000-1230		Oil Wick	1	1	1	1	
H-24	44-026A-106L		Oil Pipe For Upper Feed Driving Shaft	1	1	1	1	
H-25	44-012C-1230		Hose For H-27	1	1	1	1	
H-26	44-028M-106L		Felt For Climb Device Body	1	1	1	1	
H-27	44-029C-106L		Bracket For H-29	1	1	1	1	
H-28	44-030S-106L		Screw (M5×P0.8)	2	2	2	2	
H-29	10-010W-7507		Washer For H-31	1	1	1	1	
H-30	44-012C-1230		Hose For Climb Device Body	1	1	1	1	
H-31	44-0000-1230		Oil Wick For H-33	1	1	1	1	
H-32	10-065A-9577		Holder For H-34	1	1	1	1	
H-33	44-021A-7500		Oil Terminal "A"	1	1	1	1	
H-34	44-018R-7500		Rubber For H-36	1	1	1	1	
H-35	44-012C-1230		Hose For Oil Gage Window	1	1	1	1	
H-36	44-038C-106L		Nipple For Upper Feed Driving Shaft	1	1	1	1	
H-37	44S001S-306H		Hose "A" For Upper Feed Driving Shaft	1	1	1	1	
H-38	44-007C-106L		Nipple For H-40	1	1	1	1	
H-39	44-012C-1230		Hose "B" For Upper Feed Driving Shaft	1	1	1	1	
H-40	44-021A-7500		Oil Terminal "B"	1	1	1	1	
H-41	44-018R-7500		Rubber For H-43	1	1	1	1	
H-42	44-144A-106L		Oil Filter Case Ass'y	1	1	1	1	
H-43	SC-A119-4119		Screw (11/64" n=40)	4	4	4	4	
H-44	06-036W-3800		Washer For H-46	4	4	4	4	
H-45	44-047M-106L		Gasket For H-46	1	1	1	1	
H-46	44-048C-106L		Bracket For H-46	1	1	1	1	
H-47	SC-A119-4119		Screw (11/64" n=40)	2	2	2	2	
H-48	06-036W-3800		Washer For H-50	2	2	2	2	
H-49	44-051M-106L		Oil Filter "A"	1	1	1	1	
H-50	44-052M-106L		Oil Filter "B"	1	1	1	1	
H-51	44-053C-106L		Oil Filter Cap	1	1	1	1	
H-53	44-012C-106L		Connection Nipple "A" For H-45	1	1	1	1	
H-54	44-018C-5607		Connection Nipple "B" For H-45	1	1	1	1	
H-55	SN-0122-4000		Nut (5/16" n=28)	1	1	1	1	
H-56	44-078M-5607		Packing For H-57	1	1	1	1	
H-57	44-012C-1230		Hose "A" For H-45	2	2	2	2	
H-58	44-012C-1230		Hose "B" For H-45	1	1	1	1	
H-59	SC-0347-4122		Screw	1	1	1	1	
H-60	44-078M-5607		Washer For H-62	1	1	1	1	
H-61	44-067C-106L		Bed Nipple	1	1	1	1	
H-62	44S002S-306H		Nipple Hose	1	1	1	1	



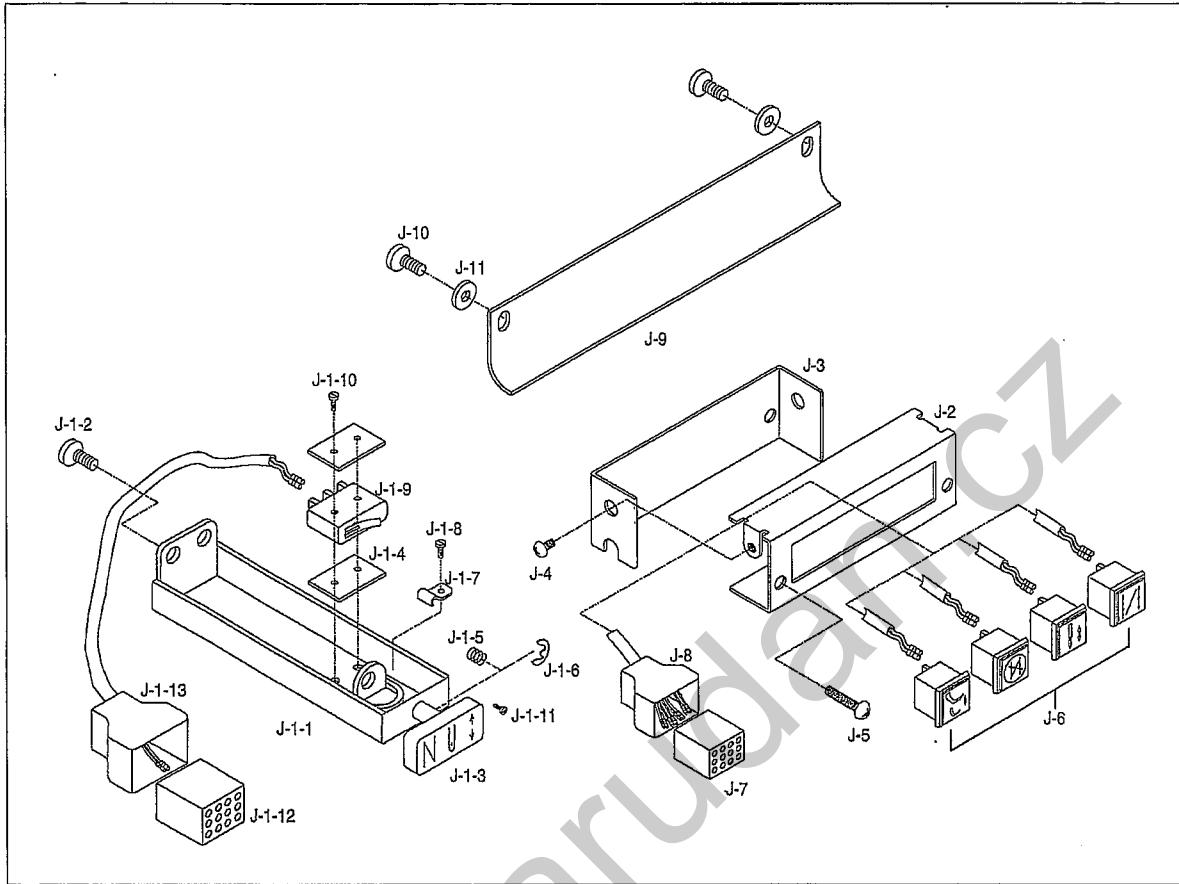
Pneumatic Mechanism



Ref. No.	Parts No.	Note	Name of Parts	品名	Quantity				Assembly No.
					060BL72	060BL73	062BL77	062BL78	
I-1	49A004S-811H		Quick Joint Plug Ass'y	퀵 조인트 플러그 (組)	1組		1組		
I-2	49A005S-811H		Finger Valve	핑거 밸브	1		1		
I-3	49A006S-811H		Filter Regulator	필터 레귤레이터	1		1		
I-4	49A008S-811H		Screw (M5×P0.8)	필터 레귤레이터 고정나사	2		2		
I-5	10-010W-7507		Washer For I-3	필터 레귤레이터 고정 와셔	2		2		
I-6	KQ2H06-02S		Hose Nipple (PT 1/4×φ6)	호스니플 (PT 1/4×φ6)	1		1		
I-7	05A052S-811H		Urethan Hose (φ6)	우레탄 호스 (φ6)	0.2m		0.2m		
I-8	KQ2H06-01S		Hose Nipple (PT 1/8×φ6)	호스니플 (PT 1/8×φ6)	1		1		
I-9	49-009A-106L		Manifold Block	매니폴드 블록 (4핀)	1		1		
I-10	49-007S-106L		Screw (M4×P0.7)	매니폴드 블록 고정나사(M4×P0.7)	2		2		
I-11	49-023S-106L		Screw (M5×P0.8)	플러그 나사	6		6		
I-12	49-024W-106L		Plug Washer	플러그 와셔	6		6		
I-13	49A020S-811H		Silencer (1/8")	소음기 (1/8")	2		2		
I-14	49-010A-106L		Solenoid Valve	솔레노이드 밸브	4		4		
I-15	49A015S-811H		Hose Nipple (M5×φ4)	호스니플 (M5×φ4)	3		3		
I-16	49-011A-106L		Hose Nipple (M5×φ6)	호스니플 (M5×φ6)	2		2		
I-17	49-016A-1067		Manifold Bracket	매니폴드 브라켓	1		1		
I-18	49A018S-811H		Screw For Manifold Bracket	매니폴드 브라켓 고정나사	2		2		
I-19	05A039S-811H		Urethane Hose (φ4)	우레탄 호스 (φ4)	0.9m		0.9m		
I-20	05A039S-811H		Urethane Hose (φ4)	우레탄 호스 (φ4)	0.5m		0.5m		
I-21	05A039S-811H		Urethane Hose (φ4)	우레탄 호스 (φ4)	0.6m		0.6m		
I-22	05A052S-811H		Urethane Hose (φ6)	우레탄 호스 (φ6)	0.6m		0.6m		
I-23	05A052S-811H		Urethane Hose (φ6)	우레탄 호스 (φ6)	0.6m		0.6m		
I-24	05A052S-811H		Urethane Hose (φ6)	우레탄 호스 (φ6)	0.1m		0.1m		
I-25	06-023M-2700		Plug (Blue)	플러그 (청)	1		1		
I-26	17-437C-7907		Tube For I-26	플러그 튜브	1		1		
I-27	17-016B-7000		Plug (Green)	플러그 (녹)	1		1		
I-28	17-437C-7907		Tube For I-28	플러그 튜브	1		1		



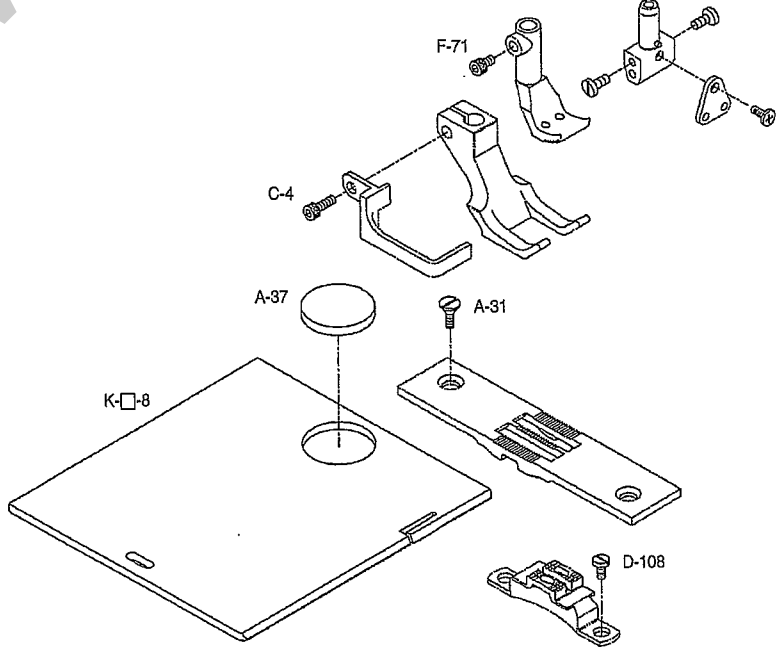
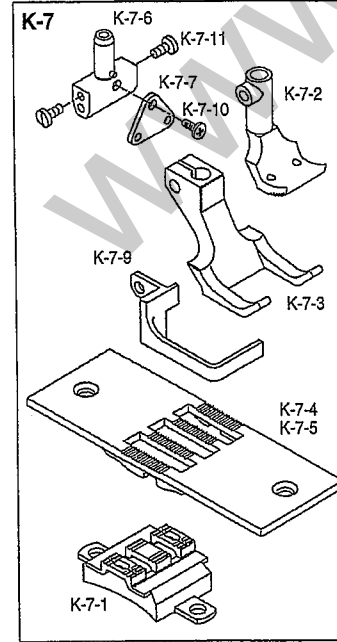
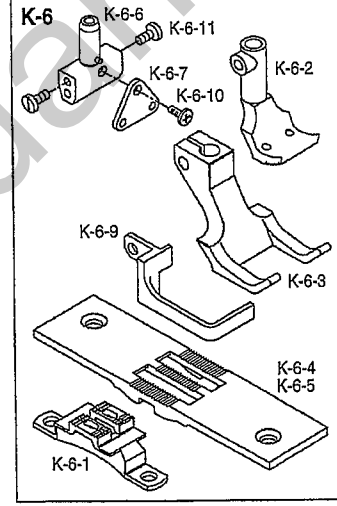
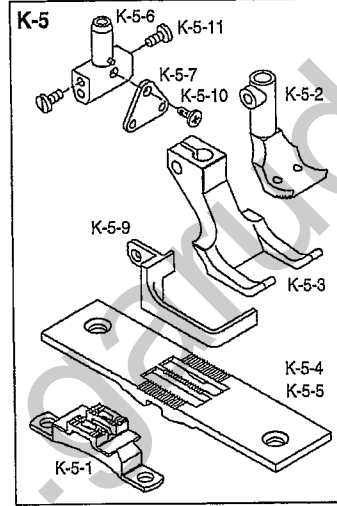
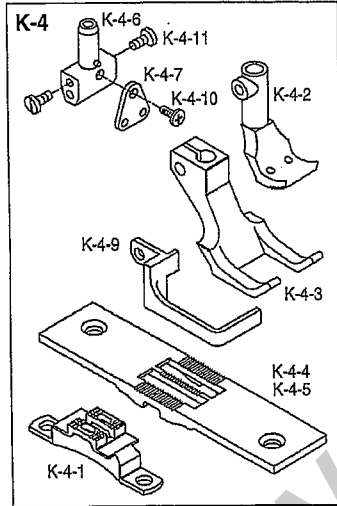
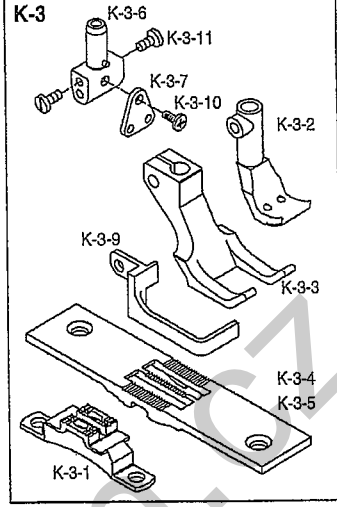
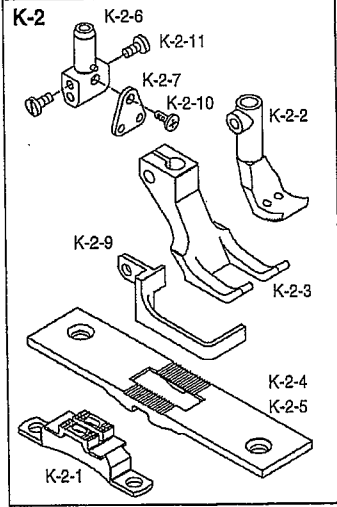
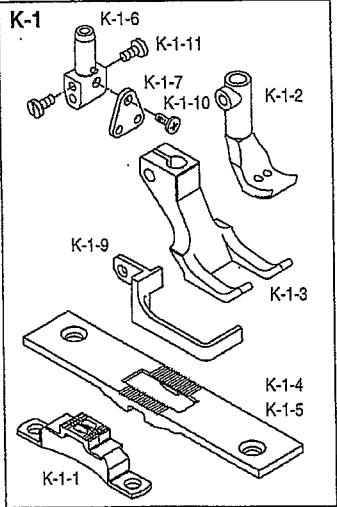
Button Mechanism 버튼 관계



Ref. No.	Parts No.	Note	Name of Parts	Quantity				Assembly No.
				133-448	133-443	233-448	233-443	
J-1-1	12-002A-1067		Reverse Button Case	1		1		
J-1-2	SC-0175-4522		Screw (11/64" n=40)	2		2		
J-1-3	12-013A-7507		Reverse Button Ass'y	1		1		
J-1-4	12-002A-7507		Insulcuted Film	1		1		
J-1-5	12-004A-7507		Spring For Reverse Button	1		1		
J-1-6	06-033M-3800		E-ring (φ3)	1		1		
J-1-7	12-006P-7507		Stopper For Reverse Button	1		1		
J-1-8	SC-0531-4125		Screw (9/64" n=40)	1		1		
J-1-9	12-003A-7507		Reverse Button S/W Assembly	1		1		
J-1-10	SC-126-4118		Screw (3/32" n=56)	2		2		
J-1-11	SC-0195-4522		Screw (M4×P0.7) L=5	1		1		
J-1-12	11-019M-2350		Plug	1		1		
J-1-13	11-019M-2350		Plug Tube	1		1		
J-2	16-004A-1060		Switch Box (F)	1		1		
J-3	16-005A-1060		Switch Box (R)	1		1		
J-4	SC-0478-4122		Screw (M4×P0.7)	2		2		
J-5	12-019S-1067		Screw (M4×P0.7)	2		2		
J-6	10-0000-1060		Function Switch Assembly	1		1		
J-7	11-018M-2350		Plug	1		1		
J-8	11-019M-2350		Plug Tube	1		1		
J-9	12-029C-1067		Cable Cover	1		1		
J-10	SC-0179-4118		Screw (11/64" n=40)	2		2		
J-11	SW-0117-1011		Washer	2		2		



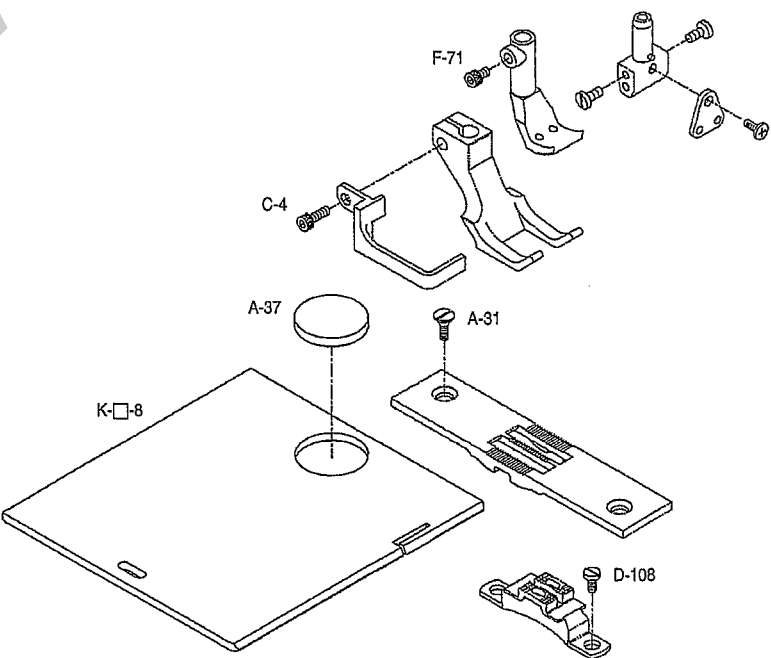
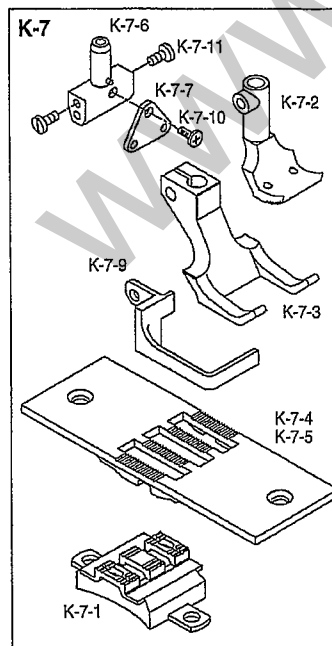
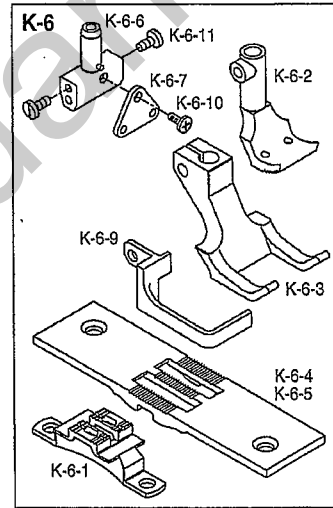
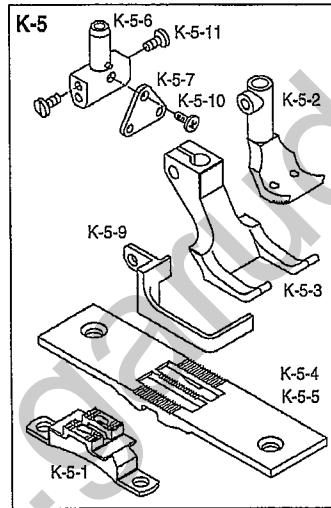
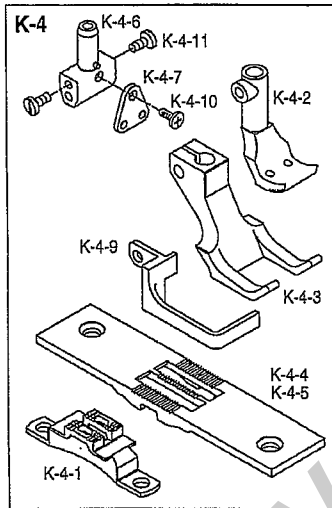
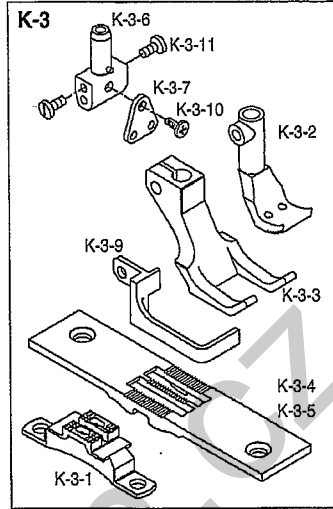
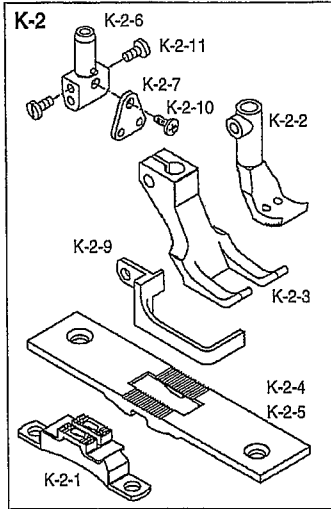
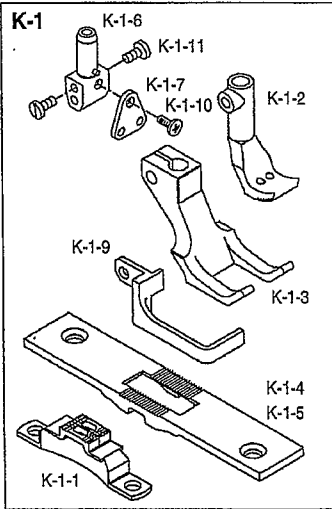
Gauge Parts



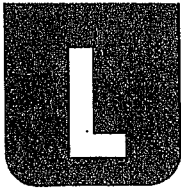
Ref. No.	Parts No.	Note	Name of Parts	Qty				Assembly No.
				133-448	133-443	233-448	233-443	
K-1	AS-000127,00		Needle Gauge(3mm)			1	1	
K-1-1	GP-000217,00		Feed Dog			1	1	
K-1-2	GP-000214,00		Upper Feed Presser Foot			1	1	
K-1-3	GP-000215,00		Sub Presser Foot			1	1	
K-1-4	GP-000451,00		Needle Plate				1	
K-1-5	GP-000218,00		Needle Plate			1		
K-1-6	GP-000219,00		Needle Holder			1	1	
K-1-7	GP-000212,00		Thread Guide of Needle Holder			1	1	
K-1-8	GP-000420,00		Slide Plate(L)			1	1	
K-1-9	06-130C-106L		Finger Guard			1	1	
K-1-10	SC-0536-7500		Screw (3/32" n=56)			1	1	
K-1-11	SC-A131-1230		Screw (1/8" n=44)			2	2	
K-2	AS-000128,00		Needle Gauge(4mm)			1	1	
K-2-1	GP-000223,00		Feed Dog			1	1	
K-2-2	GP-000220,00		Upper Feed Presser Foot			1	1	
K-2-3	GP-000215,00		Sub Presser Foot			1	1	
K-2-4	GP-000452,00		Needle Plate				1	
K-2-5	GP-000222,00		Needle Plate			1		
K-2-6	GP-000447,00		Needle Holder			1	1	
K-2-7	GP-000212,00		Thread Guide of Needle Holder			1	1	
K-2-8	GP-000422,00		Slide Plate(L)			1	1	
K-2-9	06-130C-106L		Finger Guard			1	1	
K-2-10	SC-0536-7500		Screw (3/32" n=56)			1	1	
K-2-11	SC-A131-1230		Screw (1/8" n=44)			2	2	
K-3	AS-000129,00		Needle Gauge(6mm)			1	1	
K-3-1	GP-000208,00		Feed Dog			1	1	
K-3-2	GP-000204,00		Upper Feed Presser Foot			1	1	
K-3-3	GP-000203,00		Sub Presser Foot			1	1	
K-3-4	GP-000213,00		Needle Plate				1	
K-3-5	GP-000207,00		Needle Plate			1		
K-3-6	GP-000191,00		Needle Holder			1	1	
K-3-7	GP-000212,00		Thread Guide of Needle Holder			1	1	
K-3-8	GP-000206,00		Slide Plate(L)			1	1	
K-3-9	06-130C-106L		Finger Guard			1	1	
K-3-10	SC-0536-7500		Screw (3/32" n=56)			1	1	
K-3-11	SC-A131-1230		Screw (1/8" n=44)			2	2	
K-4	AS-000130,00		Needle Gauge(8mm)			1	1	
K-4-1	GP-000427,00		Feed Dog			1	1	
K-4-2	GP-000425,00		Upper Feed Presser Foot			1	1	
K-4-3	GP-000424,00		Sub Presser Foot			1	1	
K-4-4	GP-000454,00		Needle Plate				1	
K-4-5	GP-000421,00		Needle Plate			1		
K-4-6	GP-000426,00		Needle Holder			1	1	
K-4-7	GP-000212,00		Thread Guide of Needle Holder			1	1	
K-4-8	GP-000423,00		Slide Plate(L)			1	1	



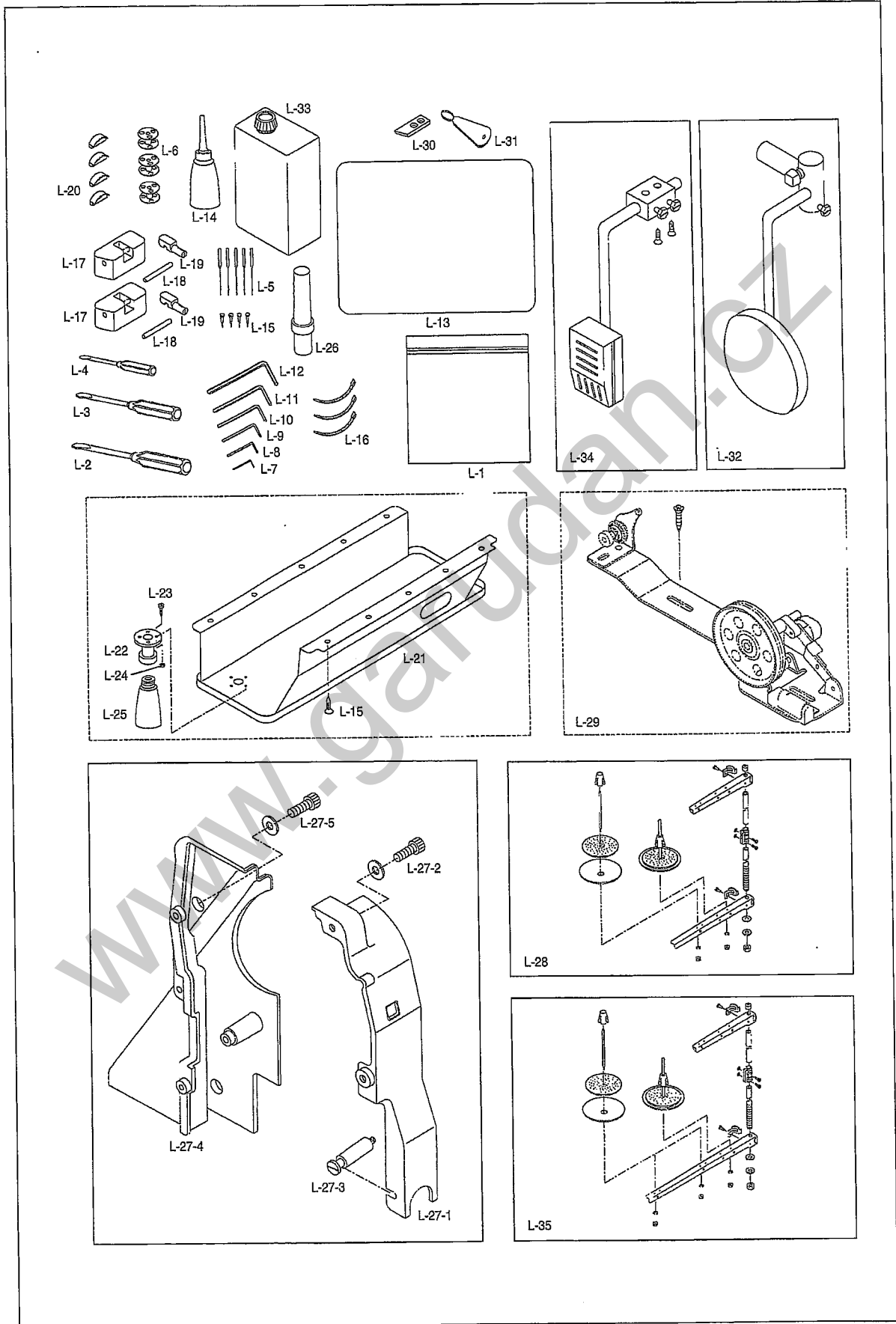
Gauge Parts



Ref. No.	Parts No.	Note	Name of Parts	Qty				Assembly No.
				133-448	133-443	233-448	233-443	
K-4-9	06-130C-106L		Finger Guard			1	1	
K-4-10	SC-0536-7500		Screw (3/32" n=56)			1	1	
K-4-11	SC-A131-1230		Screw (1/8" n=44)			2	2	
K-5	AS-000131,00		Needle Gauge(10mm)			1	1	
K-5-1	GP-000433,00		Feed Dog			1	1	
K-5-2	GP-000431,00		Upper Feed Presser Foot			1	1	
K-5-3	GP-000430,00		Sub Presser Foot			1	1	
K-5-4	GP-000455,00		Needle Plate				1	
K-5-5	GP-000428,00		Needle Plate			1		
K-5-6	GP-000432,00		Needle Holder			1	1	
K-5-7	GP-000205,00		Thread Guide of Needle Holder			1	1	
K-5-8	GP-000429,00		Slide Plate(L)			1	1	
K-5-9	GP-000449,00		Finger Guard			1	1	
K-5-10	SC-0536-7500		Screw (3/32" n=56)			1	1	
K-5-11	SC-A131-1230		Screw (1/8" n=44)			2	2	
K-6	AS-000132,00		Needle Gauge(12mm)			1	1	
K-6-1	GP-000439,00		Feed Dog			1	1	
K-6-2	GP-000437,00		Upper Feed Presser Foot			1	1	
K-6-3	GP-000436,00		Sub Presser Foot			1	1	
K-6-4	GP-000456,00		Needle Plate				1	
K-6-5	GP-000434,00		Needle Plate			1		
K-6-6	GP-000438,00		Needle Holder			1	1	
K-6-7	GP-000205,00		Thread Guide of Needle Holder			1	1	
K-6-8	GP-000435,00		Slide Plate(L)			1	1	
K-6-9	GP-000449,00		Finger Guard			1	1	
K-6-10	SC-0536-7500		Screw (3/32" n=56)			1	1	
K-6-11	SC-A131-1230		Screw (1/8" n=44)			2	2	
K-7	AS-000133,00		Needle Gauge(20mm)			1	1	
K-7-1	GP-000446,00		Feed Dog			1	1	
K-7-2	GP-000444,00		Upper Feed Presser Foot			1	1	
K-7-3	GP-000443,00		Sub Presser Foot			1	1	
K-7-4	GP-000457,00		Needle Plate				1	
K-7-5	GP-000441,00		Needle Plate			1		
K-7-6	GP-000445,00		Needle Holder			1	1	
K-7-7	GP-000440,00		Thread Guide of Needle Holder			1	1	
K-7-8	GP-000442,00		Slide Plate(L)			1	1	
K-7-9	GP-000448,00		Finger Guard			1	1	
K-7-10	SC-0536-7500		Screw (3/32" n=56)			1	1	
K-7-11	SC-A131-1230		Screw (1/8" n=44)			2	2	
K-7-12	GP-000450,00		Joint Connection Stud			1	1	
A-31	SC-0499-4515		Screw (11/64" n=40)	2	2	2	2	
A-37	01-049C-7500		Window For A-32	1	1	1	1	
C-4	05-033S-106L		Screw (M4×P0.7)	1	1	1	1	
D-108	SC-A174-4122		Screw (11/64" n=40)	2	2	2	2	
F-71	15-003S-106L		Screw (M4×P0.7)	1	1	1	1	



Accessories



Ref. No.	Parts No.	Note	Name of Parts	QTY	QTY				Assembly No.
					133-448	133-443	233-448	233-443	
L-1	91-001C-1230		Accessories Bag		1	1	1	1	
L-2	91-002C-1230		Driver (Large)		1	1	1	1	
L-3	91-003C-1230		Driver (Middle)		1	1	1	1	
L-4	91-003C-1230		Driver (Small)		1	1	1	1	
L-5	006-00T-0002		Needle (DP×17 #22)		5	5	5	5	
L-6	07-045A-106L		Bobbin (AL)		3	3	3	3	
L-7	91-001C-106L		L-Wrench (1.5mm)		1		1		
L-8	91-002C-2700		L-Wrench (2.0mm)		1		1		
L-9	91-004C-2700		L-Wrench (2.5mm)		1		1		
L-10	91-003C-2700		L-Wrench (3.0mm)		1	1	1	1	
L-11	91-001C-3800		L-Wrench (4.0mm)		1	1	1	1	
L-12	91-002C-2700		L-Wrench (5.0mm)		1	1	1	1	
L-13	91-008M-640L		Head Cover		1	1	1	1	
L-14	91-011C-1230		Oil		1	1	1	1	
L-15			Nail For K-20		14	14	14	14	
L-16	02-003A-2700		Band Clip		3	3	3	3	
L-17	01-058R-106L		Hinge Rubber		2	2	2	2	
L-18	01-059C-106L		Head Hinge Holder Bar		2	2	2	2	
L-19	01-050A-9570		Hinge		2	2	2	2	
L-20	91-103R-7400		Bed Support Rubber		4	4	4	4	
L-21	44-063A-106L		Oil Pan		1	1	1	1	
L-22	90S008S-306H		Oil Tank Support		1	1	1	1	
L-23	SC-0338-4122		Screw For K-22		4	4	4	4	
L-24	SN-0114-4000		Nut For K-22		4	4	4	4	
L-25	90S007S-306H		Oil Tank		1	1	1	1	
L-26	91-012C-1230		Head Rest		1	1	1	1	
L-27-1	60-002A-106L		Belt Cover "A"		1	1	1	1	
L-27-2	SC-0211-4113		Screw		2	2	2	2	
L-27-3	60-004S-106L		Support Screw For Belt Cover		1	1	1	1	
L-27-4	60-005A-106L		Belt Cover "B"		1	1	1	1	
L-27-5	SC-0211-4113		Screw		3	3	3	3	
L-28	91-007A-2302		Thread Stand Assembly		1	1			
L-29	41-101A-1230		Bobbin Winder Assembly		1	1	1	1	
L-30	10-001A-1067		Fixed Mes		1	1	1	1	
L-31	91-007C-7400		Needle Thread Inserting Guide		1	1	1	1	
L-32	43-100A-7500		Knee Lifting Pad Assembly			1		1	
L-33	91-108C-1230		Oil		1	1	1	1	
L-34	17-0000-1060		Knee Switch Ass'y		1		1		
L-35	91-008A-7400		Thread Stand Assembly				1	1	

www.garudan.cz